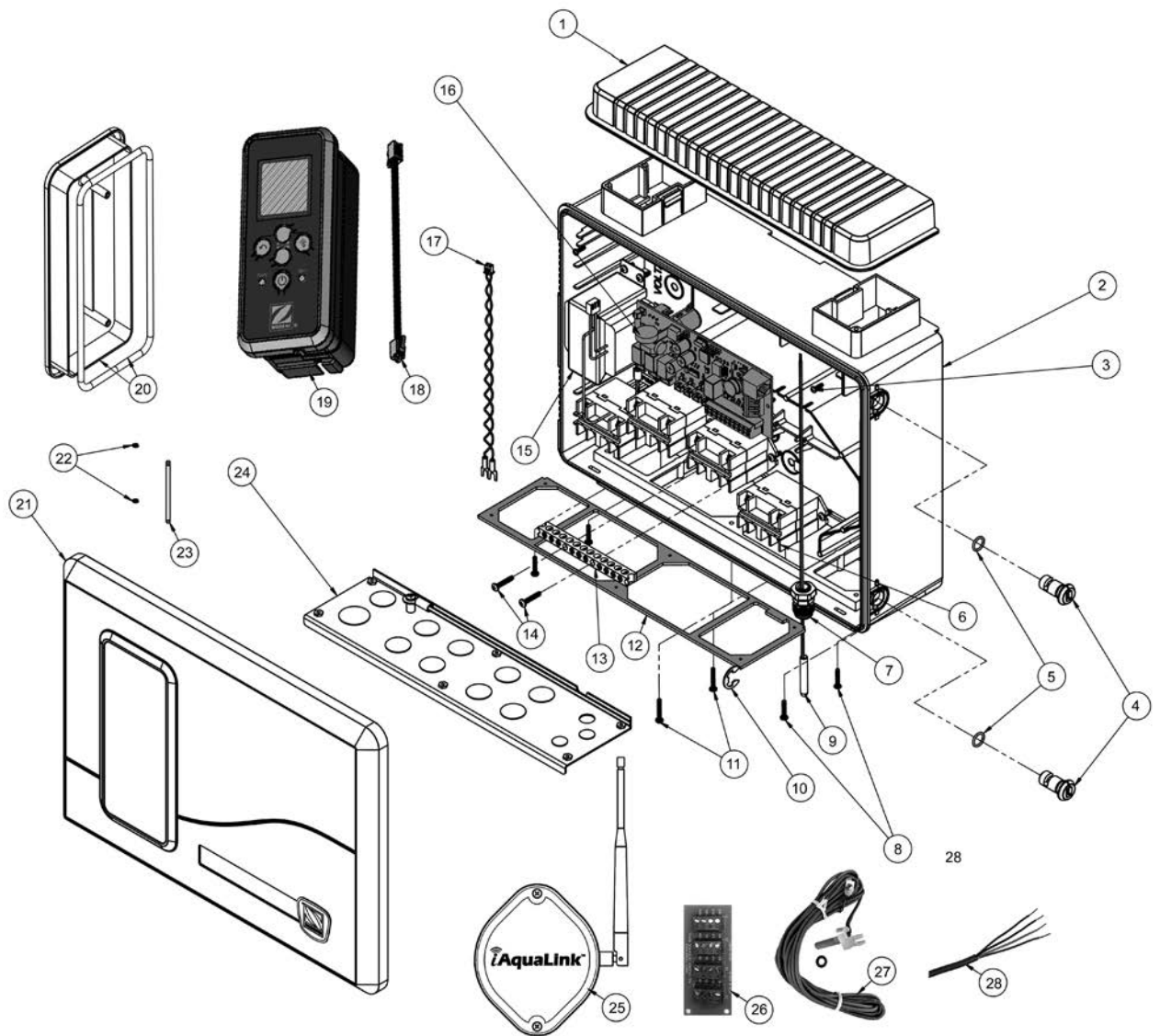




AquaLink® TRi



Position	Description	Reference
1 2	R-Kit AquaLink TRi enclosure complete (enclosure + cover + 2 screws)	R0569700
1 3	R-KIT top vent cover (cover + 2 screws)	R0568900
4 5 10	R-KIT door tumblers (2 tumblers + 2 Orings + 2 e-clips)	R0568400
6 17	R-KIT relay (relay + 24 V wiring)	R0658100
7	R-KIT cable glands (2 x M12, 9 x M20 & 1 x M25)	R0569500
9	R-KIT air temp sensor (with 5 m cable)	R0568500
8 11 12 24	R-KIT metal base plate (plate + seal + 6 screws)	R0569100
13 14	R-KIT grounding bar (bar + 2 screws)	R0568700
15	R-KIT 220-240 VAC / 50 Hz transformer (with fixing screws)	R0569300
16	R-KIT main power PCB (with 2 screws)	R0568200
18 19	R-KIT user interface assembly (enclosure + Oring + control PCB + 2 screws + RJ11 comms cable / Pool only)	R0568300
20	R-KIT blanking plate assembly (plate + Oring + metal plate + 2 screws + 5 m comms cable)	R0568600
21 22 23	R-KIT AquaLink TRi door assembly (door + hinge pins + name & brand labels / WITHOUT user interface)	R0569401
\	Plastite screw $\varnothing 4 \times 3/8''$ (for PCB or top vent cover)	F0115101
\	Plastite screw $\varnothing 6 \times 3/8''$ (for relays or transformer)	F0115201
25	R-KIT iAquaLink IQ20 antenna (with USB cable & screws)	IQ20-E
26	R-KIT multiplex board (to be used when more than 2 RS485 cables are connected)	R0570200
27	R-KIT water/solar temp sensor (with 15 m cable + Oring + stainless steel collar)	R0570100
28	RS485 cable for iAquaLink-compatible products connection (sold per meter)	W4278+