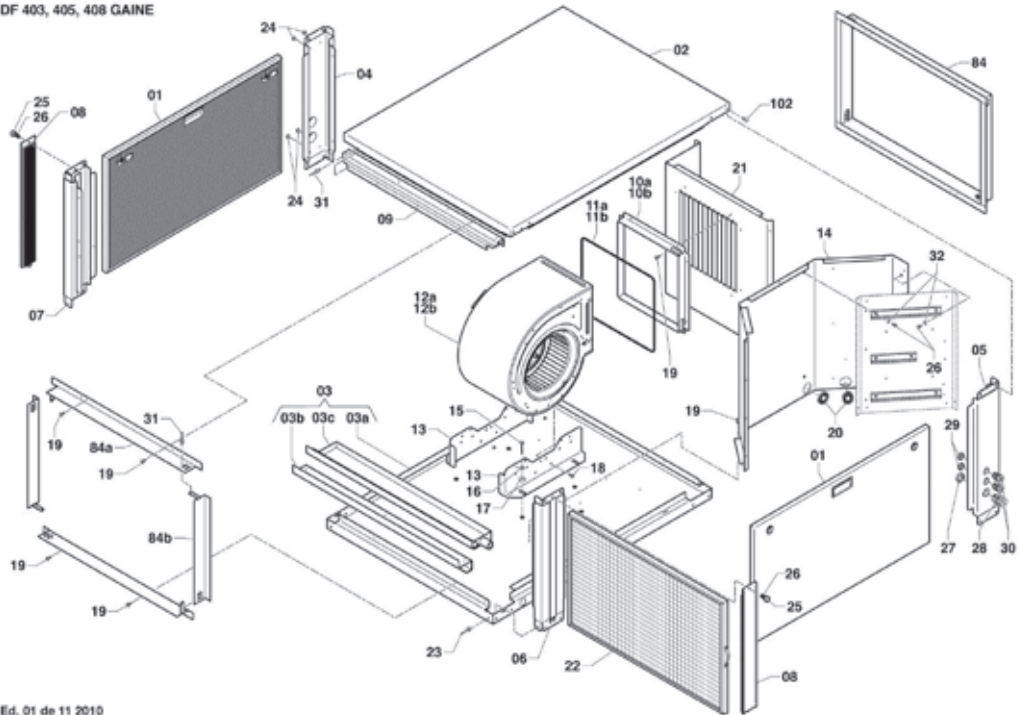




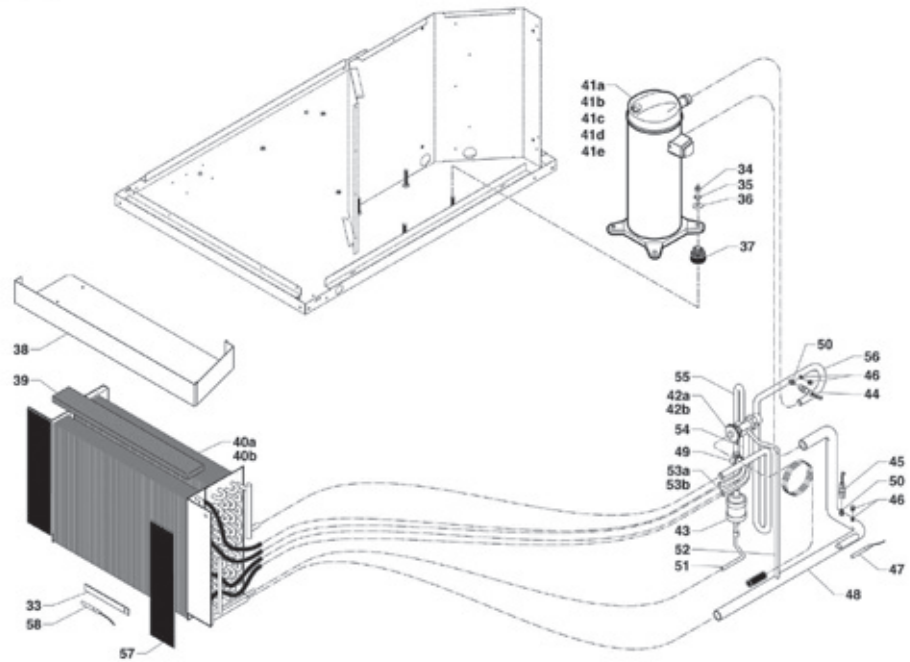
DF 5, 6, 8, 10, 12, 303, 310, 312, 403, 405, 408, 410, 412

DF 403, 405, 408 GAINÉ

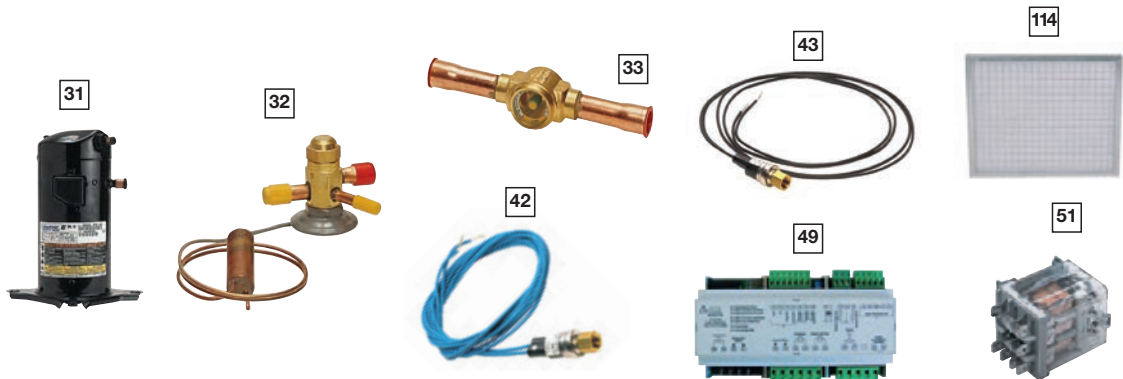


Ed. 01 de 11 2010

DF 403, 405, 408



Ed. 01 de 11 2010



Position	Description	Reference
Electrical spare parts		
12	Motor fan (DF 303, 305, 403 ,405)***	WCF01220
	Motor fan (DF8, DF 308, 408)***	WCF01221
	Motor fan (DF 310, 312, 410, 412)***	WCF01222
	Compressor Capacitor 45µF (DF5, DF305, DF405)	B0181600A
	Compressor Capacitor 50µF (DF6)	B0181100A
	Compressor Capacitor 55µF (DF8, DF308, DF408)	B0181700A
	Compressor Capacitor 40µF (DF303, DF403)	B0181500A
	Ventilator Capacitor 12µF (DF5, 6, 8 DF308, 310, 312, DF408, 410, 412)	WSG01931
	Ventilator Capacitor 10µF (DF303, 305, DF403, 405 and 408 IE3)	WSG01930
	Ventilator Capacitor 7µF IE2 standards from 2014 (DF403 and 405)	B0053100A
Ventilator Capacitor 16µF IE2 standards from 2014 (DF410 and DF412)	B0053200A	
Ventilator Capacitor 4µF IE3 standards (DF403 and DF405)	WSG01938	
49	Regulator ECP 600	WCE06000
51	Relay 12 V	WFD01460
	Relay 220V	WCF02710
	Contacteur DIL 17-10 Sing. ph.	WCF01113
	Contacteur DIL 9-10 3. ph.	WCF01066
	Phase controller (DF 3 phase)	WCZ01371
58	PTC Extractor sensor (black)	WCE01311
47	PTC Defrosting sensor (grey)	WCE01312
A	Standard wall hygrostat	WCE01314
B	Hygro control + sensor**	WD000001
	Hygro control sensor	WCE03431
C	Heater 1.5 kW (extra heating option)	WRI01892
D	Automatically rearming safety thermostat	WIN01642
E	Manual rearming safety thermostat	WIN01646
F	Transformer 220/12V	WSE01929
	Defrosting clock AL 15-1	WAM00981
	Standard wall hygrostat	WCL01318
Refrigerating spare parts		
40	Evaporator/condenser (DF 308)	WHC01547
	Evaporator/condenser (DF 310, 312)	WHC01550
	Evaporator/condenser (DF 303, 305)	WHC01549
41	Compressor ZR 22 mono (DF 303)	WCO02576
	Compressor ZR 28 mono (DF 5, DF 305 Sing. ph)	WCO02579
	Compressor ZR 28 tri (DF 305 3 phase)	WCO02783
	Compressor ZR 34 mono (DF 6 Sing. ph)	WCO02581
	Compressor ZR 40 mono (DF 8, DF 308 Sing. ph)	WCO02590
	Compressor ZR 40 tri (DF 8, DF 308 3 phase)	WCO02687
	Compressor ZR 48 tri (DF 10 à 310 3 phase)	WCO02589
	Compressor ZR 61 (DF 12 and DF 312 3 phase)	WCO02453
42	Expansion valve TX3 N35 407C (DF303)	WAC02498
	Expansion valve TX3 N36 407C (DF305, 308)	WAC02499
	Expansion valve TX3 N37 407C (DF 310, DF 10)	WAC02500
	Expansion valve TX3 N38 407C (DF 312, DF 12)	WAC02501
33	Liquid indicator 33S (DF 303, 305, 308, 5, 6, 8)	WCY01000
	Liquid indicator 34S (DF 310/312, DF 10/12)	WCY01001
43	Dehydrator 053S (DF 6/8, 303, 305, 308)	WCY00995
	Dehydrator 084S (DF 10/12, 310, 312)	WCY00997
45	LP pressure switch 0.5/2 bars	WJC01668
44	HP pressure switch 26/20 bars	WJC01669
Others		
3C	Condensation collector DF6/8, 305/308	WTP02123
3C	Condensation collector DF10/12, 310, 312	WTP02127
22	Filter frame (DF ducts 303 to 308) size: 410 x 610 x 23 mm	WSD01918
	Filter frame (DF ducts 310 to 312) size: 450 x 645 x 23 mm until Nov. 2006	WSD01922
	Filter frame (DF ducts 310 to 312) size: 577 x 690 x 22 mm from Nov 2006	WSD03351
	Metalwork insulation thickness 20 mm - Price per m2	WCA02601
	Filter DF 403 to 408 size: 755 x 455 x 20 mm	WTL00760
	Filter DF 410 to 412 size: 850 x 580 x 20 mm	WTL00761
	Demi filter DF 403-408 size: 380 x 460 x 22 mm	WTL00763
	Demi filter DF 410-412 size: 428 x 585 x 22 mm	WTL00762



A



B



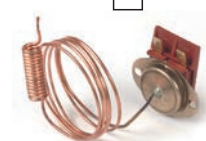
C



D



E



F

