



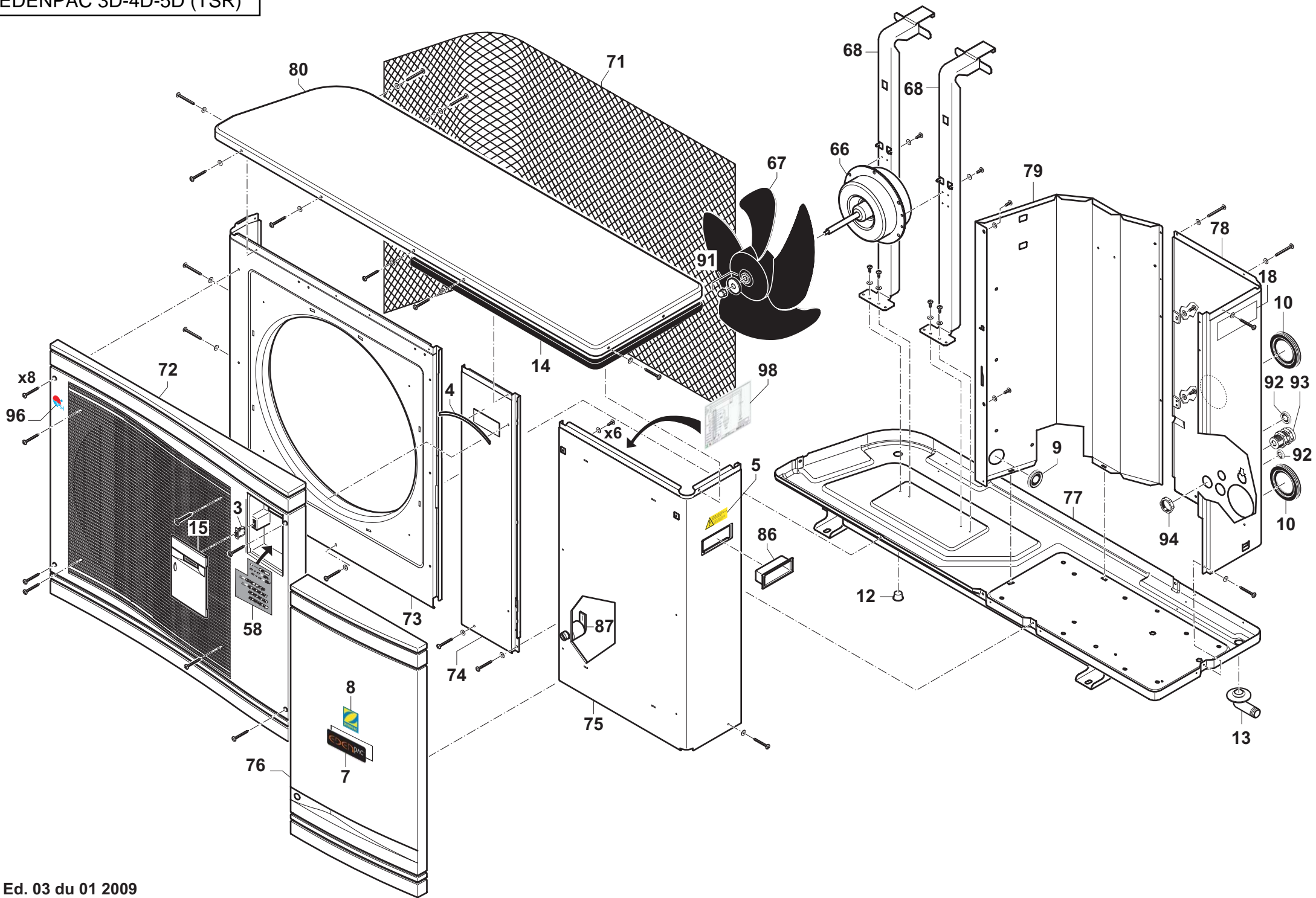
Edenpac Defrost

Pièces détachées

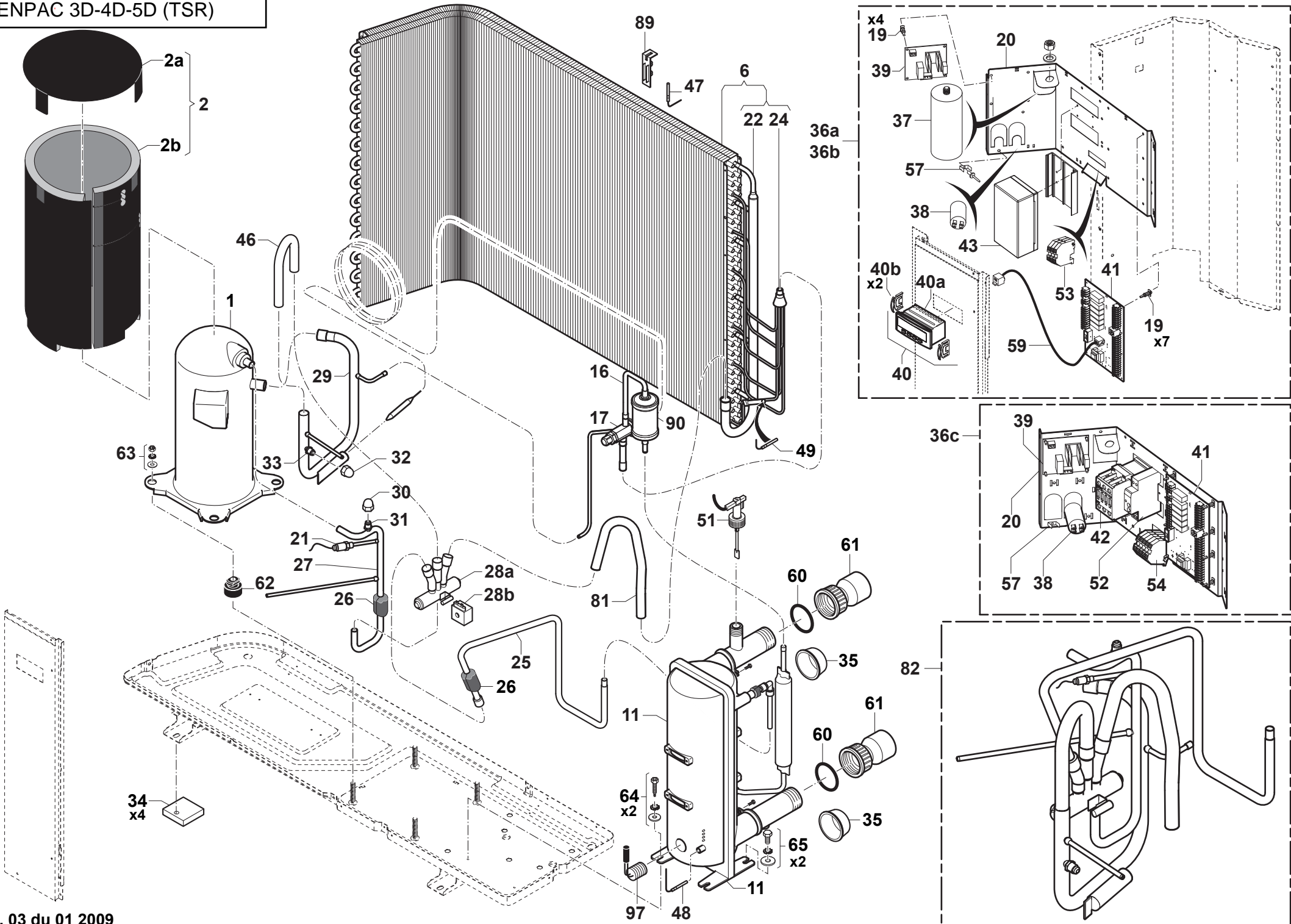
Description	Reference
Electrical spare parts	
NTC sensor for euro alpha FK (water, anti-freeze or defrosting temperature)	WCE03850
NTC sensor for euro alpha FK (water, anti-freeze or defrosting temperature)	
NTC sensor for euro alpha FK (water, anti-freeze or defrosting temperature)	
Euro alpha FK connection plate for OPTIPAC 30 and 15D (since 2007)	WCE03698
Euro alpha FK speed regulation module (since 2004) ventilator 500W A2	WCE03576
EVK Regulator for Optipac 15D & 30D (since 2011)	WCE03823
EVK pressure captor	WKE02150
EVK speed regulation card	WCE03826
EVK Connection braid for Optipac 15D & 30D (since 2011)	WCE03824
EVK connection plate for Optipac 15D & 30D (since 2011)	WCE03825
Remote control module EVK	WCE03827
Defrosting contact sensor (Edenpac)	WCE03716
Condenser anti-freeze resistance (Edenpac)	WTC03842
Edenpac carter resistance kit, optional (Edenpac Defrosting)	WKITRESCARTER
Refrigerating spare parts	
4 channel vane (Eden 6D)	WTC03833
4-way valve coil Optipac 15 and 30D	WTC03836
Expansion valve Eden 3 BBIZE 3	WTC03848
Expansion valve Eden 4/5 BBIZE 4	WTC03847
Byflow expansion valve (Eden 6D) BBIZE6	WTC03831
Byflow dehydr. filter (Eden 3/4/5 D)	WDA01388
Byflow dehydr. filter (Eden 6)	WDA01389
Condenser for Edenpac 4 and 5	R06955

* All electric parts on single phased Heat Pumps are sold without condensers.

EDENPAC 3D-4D-5D (TSR)



EDENPAC 3D-4D-5D (TSR)



EDENPAC 6D (TSR)

