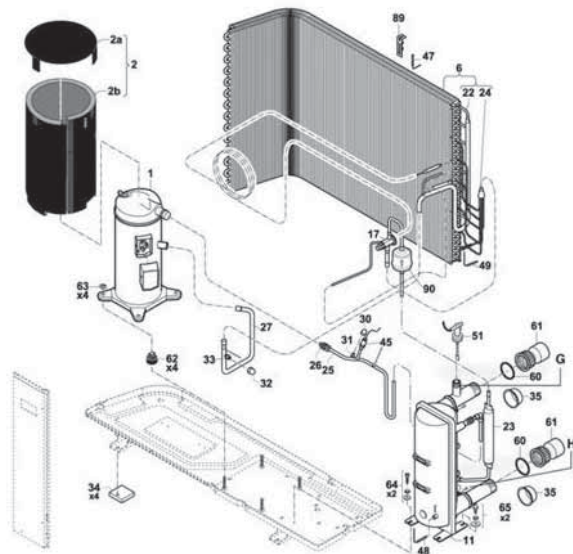
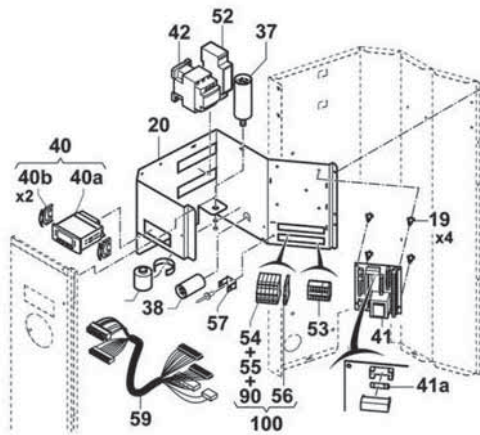




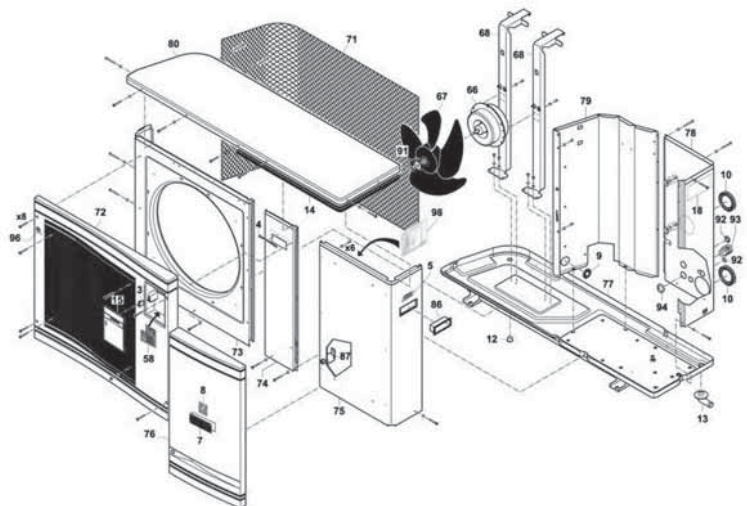
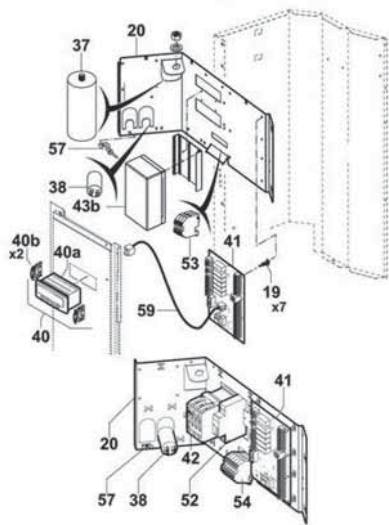
## FK REGULATOR MODEL WITH PRESSURE GAUGE

For all orders please indicate the Heat Pump serial number.



## EVK REGULATOR MODEL WITHOUT PRESSURE GAUGE

For all orders please indicate the Heat Pump serial number.



Position	Description	Reference
<b>Electrical spare parts</b>		
37	Compressor alu capacitor 45 µF (Eden 1)	B0181600A
	Compressor capacitor 50µf (CAE 506)	B0181100A
	Compressor alu capacitor 60 µF (Eden 3)	B0181800A
	Compressor alu capacitor 80 µF (Eden 4)	B0181900A
38	Fan capacitor 6.3 µF (Eden 1 to 5)	WCE03695
40	Euro Alpha FK regulator (since 2004) MAP 2 (Optipac)*	WCE03687
41	Euro alpha FK connection plate for OPTIPAC 30 and 15D (since 2007)	WCE03698
59	Euro alpha FK connection braid	WCE03554

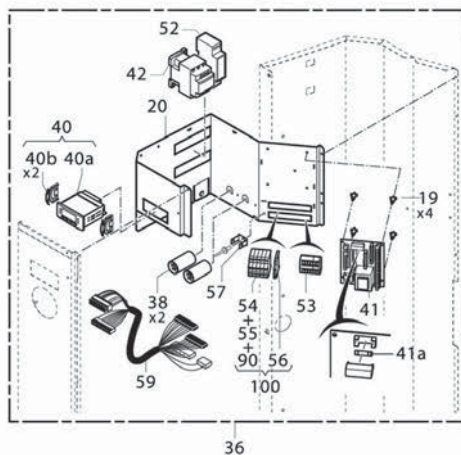
Position	Description	Reference
43a	Starter (Eden 3 and 4 mono) for EuroAlfa FK	WCE03704
E	Gradual starter (compressor starter kit single phased)	WKITEDEN
40	EVK Regulator for Optipac 15D & 30D (since 2011)	WCE03823
45	EVK pressure captor	WKE02150
	EVK Connection braid for Optipac 15D & 30D (since 2011)	WCE03824
41	EVK connection plate for Optipac 15D & 30D (since 2011)	WCE03825
	EVK speed regulation card	WCE03826
43b	Smart (Eden 4) for EVK	WCE03832
	DILM 9-10 contactor (give model)	WCF01066
42	18A Contactor (Eden 1, 2, and 3 single phase) 3RT 1025 1A	WCE03690
	25A Contactor (Eden 4 single phase) 3RT 1026 1A	WCE03691
47	NTC sensor for euro alpha FK (water, anti-freeze or defrosting temperature)	WCE03850
48	NTC sensor for euro alpha FK (water, anti-freeze or defrosting temperature)	WCE03850
49	NTC sensor for euro alpha FK (water, anti-freeze or defrosting temperature)	WCE03850
51	Noryl flow switch	WSK02022
52	Phase controller	WCZ01371
66	Ventilator motor	WTC03783
<b>Refrigerating spare parts</b>		
	ZP26 Compressor single phase 410A Eden 1	WCO03824
	ZP32 Compressor single phase 410A Eden 2	WCO03818
1	ZP41 Compressor single phase 410A Eden 3	WCO03819
	ZP41 Compressor three phase 410A Eden 3	WCO03820
	ZP50 Compressor single phase 410A Eden 4	WCO03821
	ZP54 Compressor three phase 410A Eden 5	WCO03822
6	Evaporator Eden 1/2	WTC03782
	Evaporator Eden 3	WTC03800
	Evaporator Eden 4/5	WTC03803
17	Expansion valve Eden 1 BBIZE 2 adjustable	WTC03843
	Expansion valve Eden 2 BBIZE 2	WTC03799
	Expansion valve Eden 3 BBIZE 3	WTC03848
	Expansion valve Eden 4/5 BBIZE 4	WTC03847
90	Dehumidifier 053S (OPTIPAC 2, 3, 3D)	WCY00995
	Dehydrator 083S (CAE 506, 598)	WCY00996
21	Manometer 410 for soldering (Eden 1 to 8) until end 2008	WTC03814
	LP 0.5/2 Bar pressure switch to solder	WTC03815
	HP 33/42 Bar pressure switch to solder	WTC03816
11	Condensor Edenpac 1	R06962
	Condenser for Edenpac 2 and 3	R06953
	Condenser for Edenpac 4 and 5	R06955
<b>Others</b>		
10	Wire tunnel	WSS01986
13 /12	Plastic grooved condensation angle + cap	WKITCONDENSAT
15	Polypropylene gate (Eden 1 to 8)	WIB03653
3	Push bolt	WEM03645
34	Anti vibration pegs (to order by 4)	WAP03064
61/ 60	Set of 2 half-union connectors + gaskets 40/49	W20RDU
60	Joint for 50 x 1' 1/2 union	WNS03428
G	Hydraulic connector kit - condenser outlet with tapping + gasket	R0611101
H	Hydraulic connector kit - condenser inlet + gasket	R0611201
67	Ventilator fan	WTC03784
71	Rear plastic grate	WTC03786
72	Polypropylene grate (Eden 1 to 5)	WIB03652
73	Ventilator shaft (Eden 1 to 5)	WTC03787
74	Manometer front face panel (Eden 1 to 5)	WTC03788
75	Right side door (Eden 1 to 5)	WTC03789
76	Polypropylene right side face (Eden 1 to 5)	WIB03651
78	Back panel (Eden 1 to 5)	WTC03791
<b>Accessories</b>		
	Remote control module EVK	WCE03827
	Winter cover (Edenpac 1 to 5)	W20HOUSSEDEN
	Cleaning Kit PAC NET	WMA03491

\* All electric parts on single phased Heat Pumps are sold without condensers.



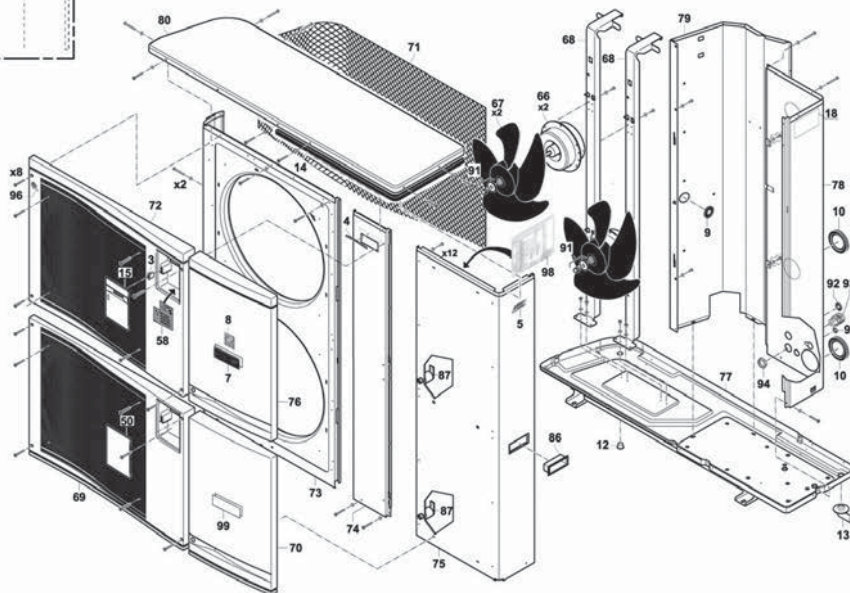
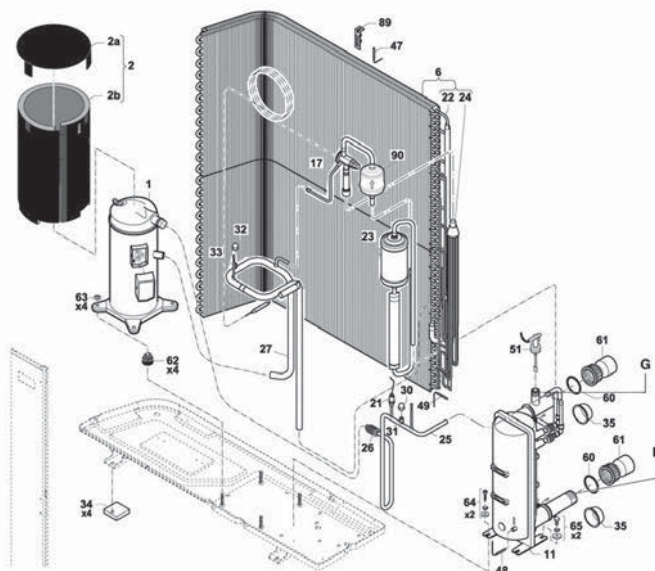
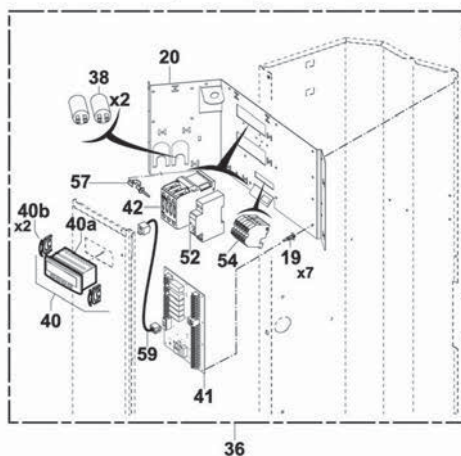
## FK REGULATOR MODEL WITH PRESSURE GAUGE

For all orders please indicate the Heat Pump serial number



## EVK REGULATOR MODEL WITHOUT PRESSURE GAUGE

For all orders please indicate the Heat Pump serial number



Position	Description	Reference
<b>Electrical spare parts</b>		
38	Fan capacitor 6.3 $\mu$ F (Eden 1 to 5)	WCE03695
H	Compressor alu capacitor 60 $\mu$ F (Eden 3)	B0181800A
40	Euro Alpha FK regulator (since 2004) MAP 2 (Optipac)*	WCE03687
41	Euro alpha FK connection plate for OPTIPAC 30 and 15D (since 2007)	WCE03698
59	Euro alpha FK connection braid	WCE03554

Position	Description	Reference
F	Starter (Eden 3 and 4 mono) for EuroAlfa FK	WCE03704
G	Gradual starter (compressor starter kit single phased)	WKITEDEN
4A	EVK Regulator for Optipac 15D & 30D (since 2011)	WCE03823
4B	EVK pressure captor	WKE02150
4C	EVK Connection braid for Optipac 15D & 30D (since 2011)	WCE03824
4D	EVK connection plate for Optipac 15D & 30D (since 2011)	WCE03825
	EVK speed regulation card	WCE03826
	Smart (Eden 4) for EVK	WCE03832
42	18A Contactor (Eden 1, 2, and 3 single phase) 3RT 1025 1A	WCE03690
	12A Contactor (Eden 6 tri phase) 3RT 1024 1A	WCE03693
47	NTC sensor for euro alpha FK (water, anti-freeze or defrosting temperature)	WCE03850
48	NTC sensor for euro alpha FK (water, anti-freeze or defrosting temperature)	WCE03850
49	NTC sensor for euro alpha FK (water, anti-freeze or defrosting temperature)	WCE03850
51	Noryl flow switch	WSK02022
52	Phase controller	WCZ01371
66	Ventilator motor	WTC03783
67	Ventilator fan	WTC03784
I	36s timer for compressor startup	WCE03715
<b>Refrigerating spare parts</b>		
1	ZP90 Compressor three phase 410A Eden 8	WCO03846
	ZP41 Compressor single phase 410A Eden 3	WCO03819
	ZP67 Compressor three phase 410A Eden 6	WCO03823
6	Evaporator Eden 6 three phase	WTC03805
	Evaporator Eden 8 three phase	WTC03845
	Evaporator Eden 7 mono	WTC03844
17	Expansion valve Eden 8 tri phase adjustable	WAC02960
	Expansion valve Eden 3 BBIZE 3	WTC03848
	Expansion valve Eden 6 (BBIZE6)	WTC03806
21	Manometer 410 for soldering (Eden 1 to 8) until end 2008	WTC03814
90	LP 0.5/2 Bar pressure switch to solder	WTC03815
	HP 33/42 Bar pressure switch to solder	WTC03816
	Dehumidifier 084S (OPTIPAC 4, 7D)	WCY00997
11	Dehumidifier 053S (OPTIPAC 2, 3, 3D)	WCY00995
	Condenser for Edenpac 6 and 8 (standard exchange)*	R06958
	Condenser for Edenpac 7 (standard exchange)*	R06956
<b>Others</b>		
41609	Plastic grooved condensation angle + cap	WKITCONDENSAT
15	Polypropylene gate (Eden 1 to 8)	WIB03653
3	Push bolt	WEM03645
34	Anti vibration pegs (to order by 4)	WAP03064
61/60	Set of 2 half-union connectors + gaskets 40/49	W20RDU
60	Joint for 50 x 1' 1/2 union	WNS03428
G	Hydraulic connector kit - condenser outlet with tapping + gasket	R0611101
H	Hydraulic connector kit - condenser inlet + gasket	R0611201
	Inlet / outlet connector seals	WJW03580
69	Polypropylene lower grate (Eden 6 to 8)	WIB03657
70	Polypropylene lower face (Eden 6 to 8)	WIB03658
72	Polypropylene upper grate (Eden 6 to 8)	WIB03659
73	Double Ventilator shaft (Eden 6 to 8)	WTC03809
74	Manometer front face panel (Eden 6 to 8)	WTC03810
75	Right side door (Eden 6 to 8)	WTC03811
76	Polypropylene upper face (Eden 6 to 8)	WIB03660
78	Back panel (Eden 6)	WTC03813
	Back panel (Eden 7/8)	WTC03775
<b>Accessories</b>		
	Remote control module EVK	WCE03827
	Winter cover (Edenpac 6 to 8)	W20HOUSSEDEN6
	Cleaning Kit PAC NET	WMA03491

\* All electric parts on single phased Heat Pumps are sold without condensers.