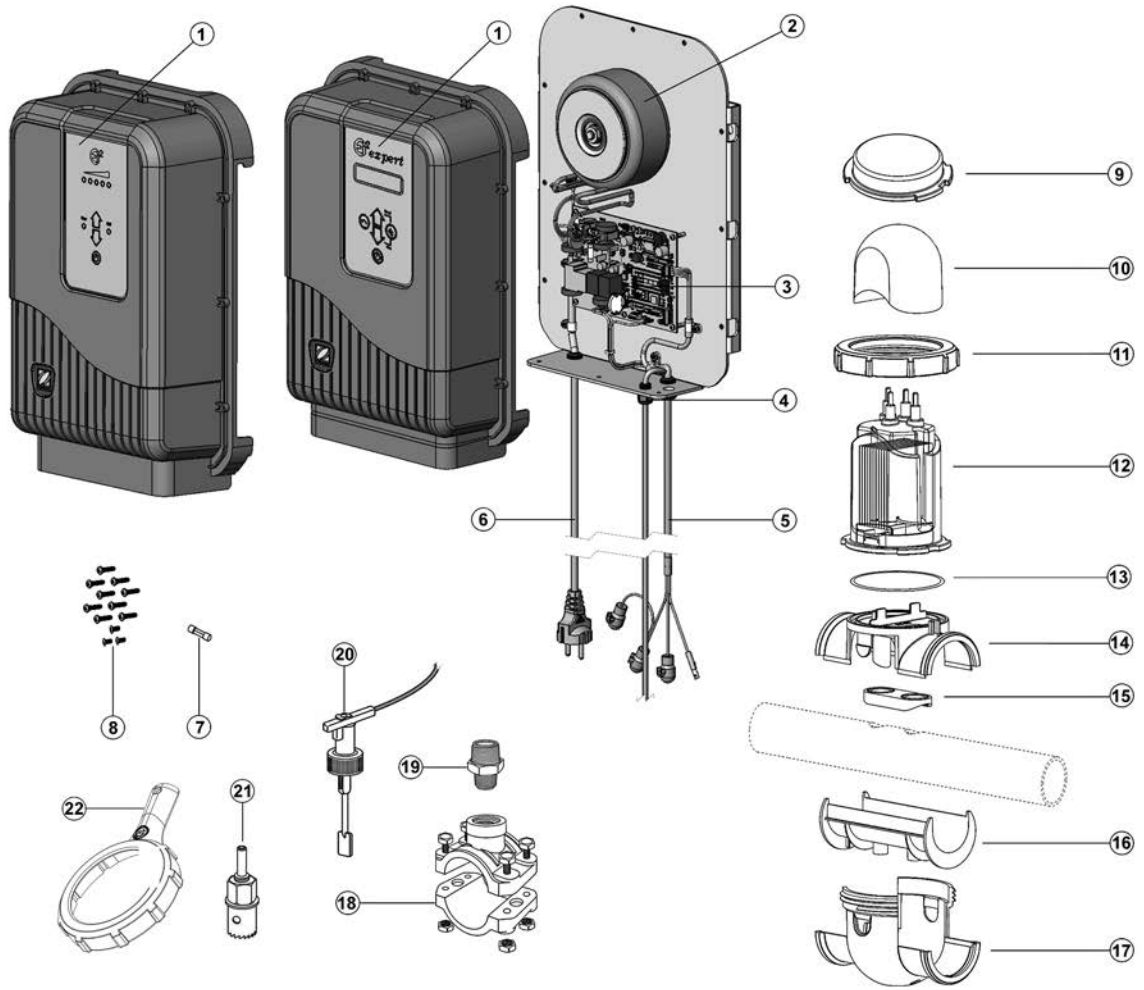




Ei² / Ei² Expert



Position	Description	Ei ²	Ei ² Expert
1	Ei ² cover assembly with lexan	R0625400	
	Ei ² Expert cover assembly with lexan & control PCB		R0664000
2	Transformer kit	R0609700	
3	Ei ² Expert power PCB (with thermal paste & screws)	R0664100	
4	Ei ² cable glands kit (x2)	R0625700	
	Ei ² Expert cable glands kit (x4)		R0664300
5	Cell cable	R0609800	R0664200
6	Mains supply cable	R0625100	
7	M205 2.5 A T Fuse	W110201	
8	Cover screw set (9 x M4/17 & 3 x M4/8)	R0609400	
9	Winterizing cap for cell	W043870	
10	Cell cap	W043800*	
11	Electrode tightening ring	W043790**	
12	Complete Ei ² 12 electrode	R0673600	
	Complete Ei ² 20 electrode	R0673700	
	Complete Ei ² 25 electrode	W197621	
	Complete Ei ² Expert 10 electrode		W197601
	Complete Ei ² Expert 18 electrode		W197612
	Complete Ei ² Expert 25 electrode		W197621
13	Electrode O-ring	W151281	
14	Saddle clamp top	W043640	
15	Flat hose joint 1 ½" (UK)	W043700	
	Flat hose joint DN50 mm & DN63 mm (EU)	W043710	
16	UK pipe adapter (1 ½")	W043680	
	EU pipe adapter (DN50 mm)	W043690	
17	Saddle clamp top	W043630	
18	Complete DN50 mm saddle clamp (adaptable to 1 ½ " UK)		W013010
	Complete DN63 mm saddle clamp (adaptable to 2 " UK)		W013011
19	3/4"x1/2" adapter for flow switch		W043560
20	Ei ² Expert flow switch		V0090600
21	Hole saw 22 mm for pipe drilling	W043750	
22	Electrode locking ring wrench	W043760	
	Zodiac sticker for cell cap	W176801	