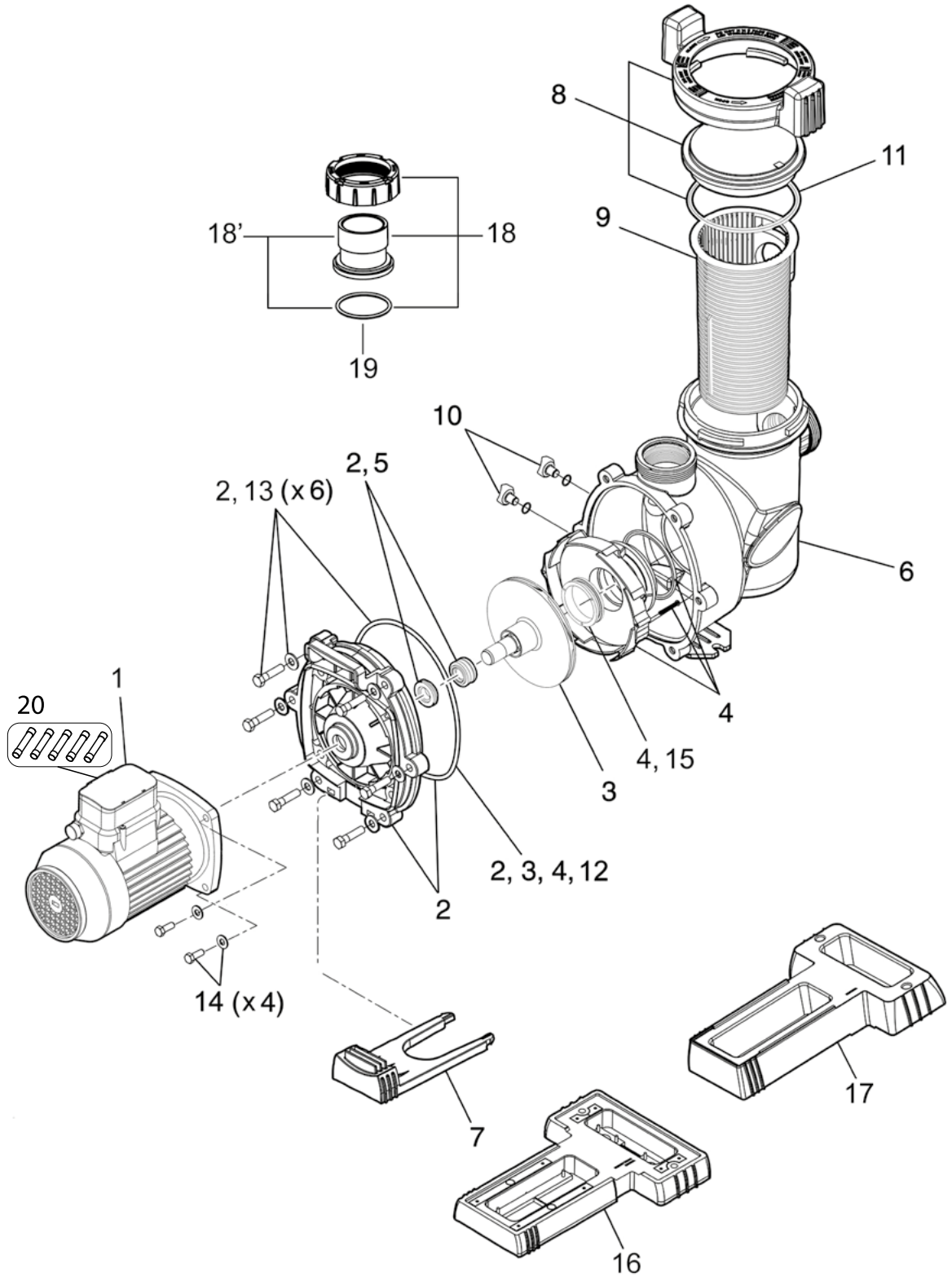




# FloPro™ e3

Spare Parts



Position	Description	Reference
1	Pump motor assembly, FloPro e3 100	R0728200
2	Backplate kit FHP (with hardware, Oring & mechanical seal)	R0479501
3	Impeller FHP 100 (w/ backplate Oring)	R0757900
4	Diffuser FHP (with Oring, Hardware & Backplate Oring)	W0479700
5	Mechanical seal FHP (set)	R0728500
6	Pump body FHP	R0479801
7	Motor mounting foot FHP 100M, 150M, 200M, 150T, 200T	R0479901
8	Lid FHP (with locking ring & Oring)	R0480001
9	Filter basket FHP	R0480101
10	Drain plug with Oring (set of 2)	R0446001
11	Lid Oring	R0480201
12	Backplate Oring FHP	R0480301
13	Backplate Hardware (bolts, washers & backplate Oring)	R0480501
14	Motor bolts & washers	R0446702
15	FHP slip ring	R0746800
16	Small pump base	R0486701
17	Large pump base	R0546401
18	63/50mm union tailpiece kit (x2)	R0728700
18'	2" UK union tailpiece kit (x2, without locking rings)	R0792700
19	Tailpiece Oring kit (x2)	R0728800
20	10A fuse (x5)	R0855700
/	2"-1.5" threaded reducer for retrofit	71840