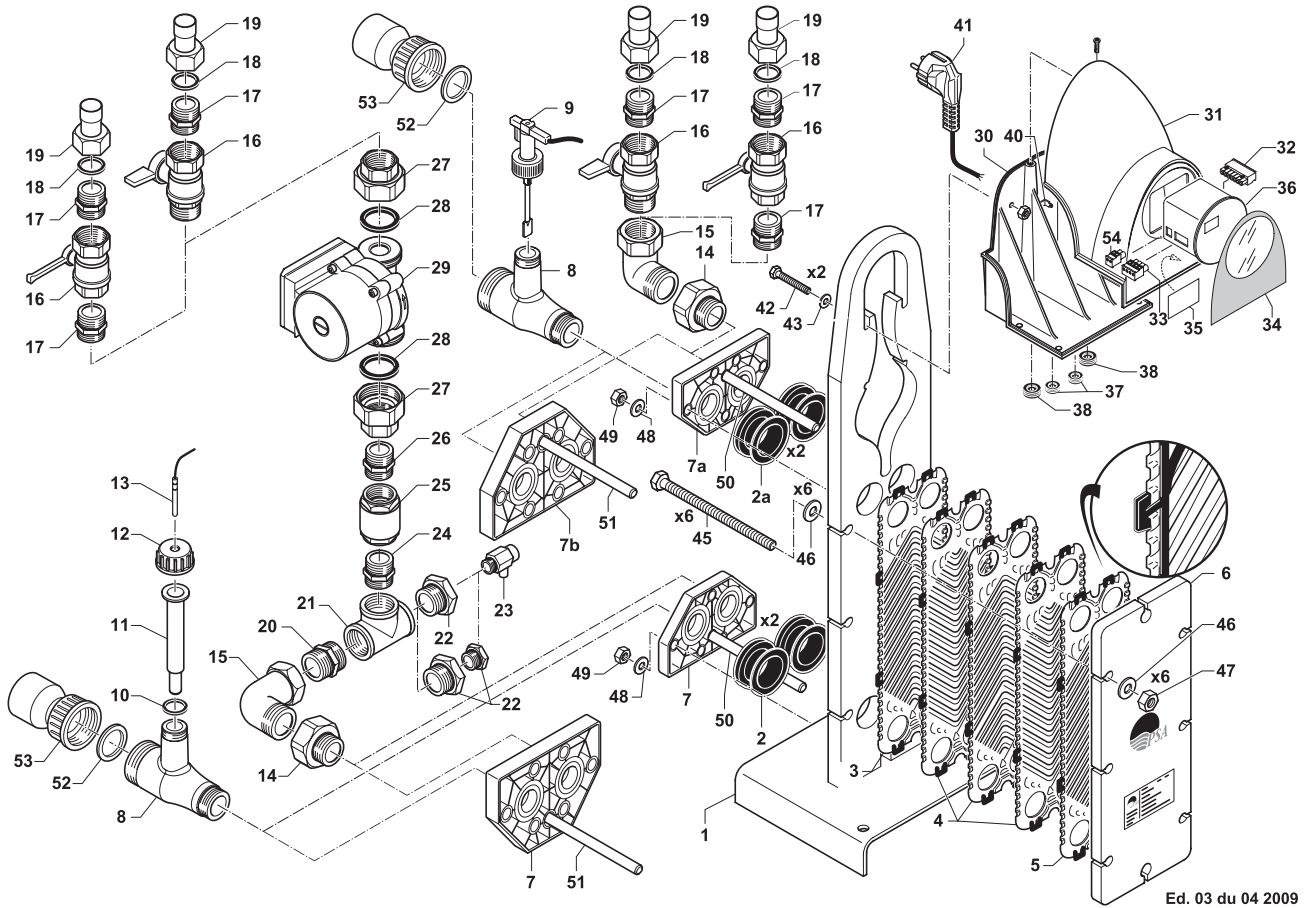




URANUS +



Ed. 03 du 04 2009

2



5



11



13



A



B



7



9



29



36



C



D



Position	Description	Reference
Electrical spare parts		
9	Noryl flow switch	WSK02022
13	Digital thermostat sensor PTC 100	WCE01311
29	Circulator UP35/70 + Set of 2 connection pieces 26/34 and joints	R07120
	Circulator UAP35/70/120 + Set of 2 connection pieces 26/34 and joints	R07121
27 28	Set of 2 connection pieces 26/34 and joints	WGR01540
29	Circulator UP120/240 and UAP240 + Set of 2 connection pieces 33/42 and joints	R07123
27 28	Set of 2 connection pieces 33/42 and joints	WGR01541
36	ECP 200 Regulator** (or EVX 402)	WCE02684
34	Sticker for the electrical box front panel	WSR02735
A	Digital regulator ECP 233	WCE01308
B	Basic digital regulator FK 151	WCE02925
C	Digital thermostat transformer	WCE01305
D	Electric box with flow switch and sensor	W49COFUR
	Digital circular regulator EC5133 with sensor for electric heaters	WCE01313
Plaques		
UP35/70 and UAP35/70/120		
3	Titanium input plate T2*	WCV01183
4	Titanium intermediate plate T2*	WCV01185
5	Titanium output plate T2*	WCV01187
UP120/240 and UAP240		
3	Titanium input plate M3*	WCV01184
4	Titanium intermediate plate M3*	WCV01186
5	Titanium output plate M3*	WCV01188
UP 105 and 140		
3	Titanium input plate V4	WCV01178
4	Intermediate plate V4	WCV01168
5	Titanium output plate V4	WCV01181
ECP or EC/PP 200		
3	Titanium input plate V8	WCV01179
4	Intermediate plate V8	WCV01170
5	Titanium output plate V8	WCV01182
Others		
2	Sleeve joint EPDM (UP 35/70)	WCV01171
	Sleeve joint EPDM (UP 120/240)	WCV01172
7	Plastic collar UP 35-70 +2 x gaskets 24/31 + UAP 35-70-120	R07235
	Plastic collar UP 120-240 + 2 x gaskets 24/31 + UAP240	R07234
8	Polyamide T	WIB01633
10 11 12	Flat glove finger (non threaded) + pierced and joint 20/27	WKITDGT
12	Cap 20/27 Female without hole	WNS01751
10	Joint 20/27	WNS01780
25	Check valve 26/34	WCL03431
53 52	Set of 2 half union connection + joints	W20RDU