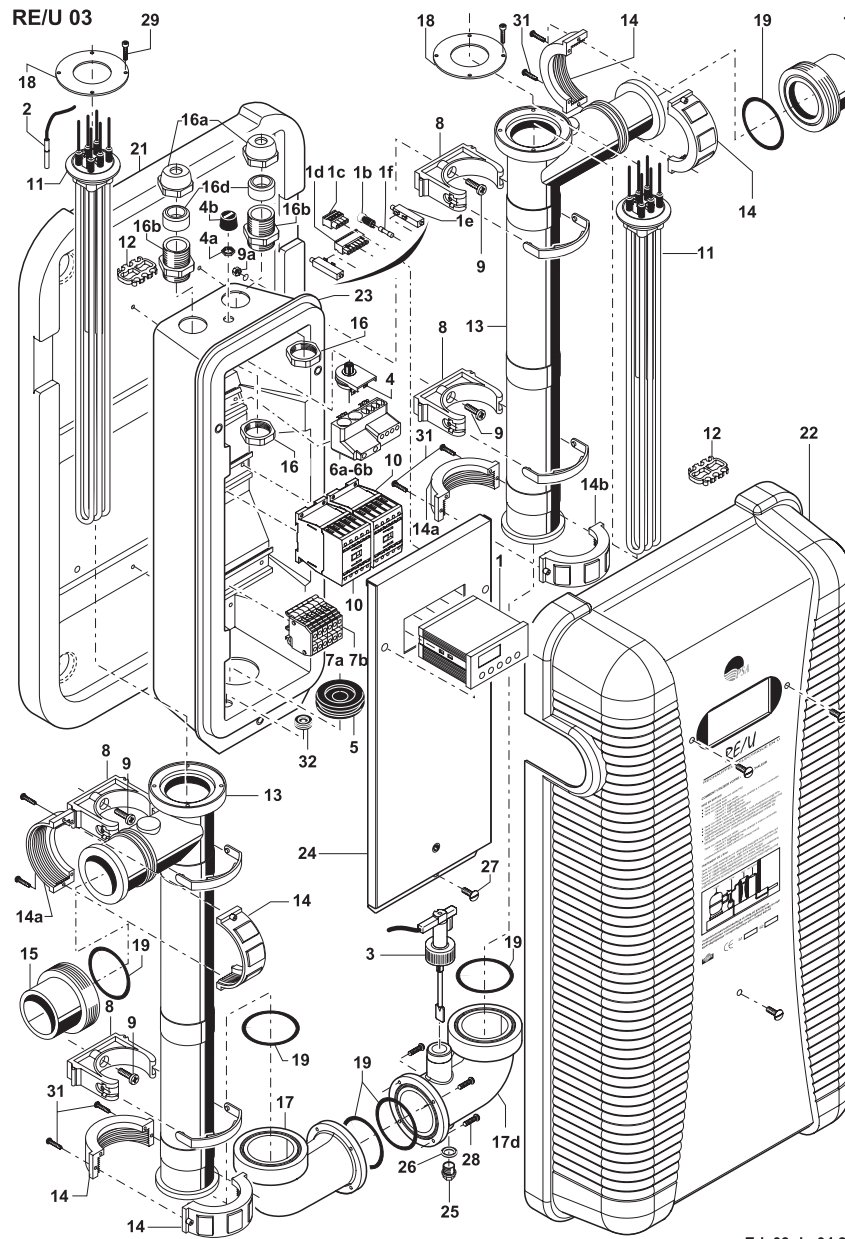




RE/U and RE/I



RE/U

Ed. 03 du 04 2009

Position	Description	Reference
Electrical spare parts		
	Timed regulator ECP 230 (RE/U RE/I) 2 channels	WCE01307
1	Timed regulator ECP 233 (RE/U 3 AND 6 KW) single channel	WCE01308
2	Digital thermostat sensor PTC 100	WCE01311
3	Noryl flow switch	WSK02022
	Stainless steel flow switch (RE/I)	WSK02014
4	Safety thermostat 63° (RE/U, RE/I)	WIN01641
	Safety thermostat 63° (from RE/I 60)	WUN02423
6	Star point (RE/U)	W40PERU
7	Elec. connection terminals (RE/U)	WCC01293
10	Contacteur DILM 9-10 (RE/U RE/I mp 30 to 48)	WCF01066
12/11	Straight resistance 3 kW (RE/U) titanium	WKITRES3D
12/11	Straight resistance 6 kW (RE/U, RE/I) titanium	WKITRES6D
12/11	Straight resistance 9 kW (RE/U, RE/I) titanium	WKITRES9D
12/11	Straight resistance 12 kW (RE/U, RE/I) titanium	WKITRES12D
A	Basic digital regulator FK 151	WCE02925
B	Digital regulator transformer 220/12V	WCE01305
	Contacteur RE/I g.p DILM 40 (RE/I 60/72)	WCF01064
	Contacteur RE/I g.p DILM 50 (RE/I 84/96)	WCF01070
	Contacteur RE/I g.p DILM 65 (RE/I 108/120)	WCF01071
	On/Off switch, green light (RE/U)	WSX02010
	Light (RE/U, RE/I)	WSX03023
Others		
	Set of 2 RE/I connections	W20RDU1
	RE/I cover medium power	WRB01856
	RE/I cover high power	WRB01855
19/17/ 18/14/13	RE/U polyamide body	W40CORREU
19/15	2 1/2 union connections Ø 63/50 (RE/L and RE/U)	W40RDL

