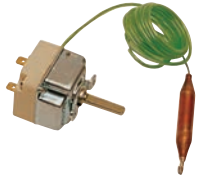


Position	Description	Reference
Electrical spare parts		
1	Regulation thermostat (RE/LE, RE/L)	WEG01404
2	On/Off switch, orange indicator (RE/LE)	WSX03025
3	Noryl flow switch	WSK02022
4	Safety thermostat 63° (RE/LE)	WIN01641
7	Elec. connection terminals (RE/LE)	WCC01289
9	Shunt for switching from three to single phase	WCC01287
8		WCC01288
10	Contactor DILM 9-10	WCF01066
12 11	Straight resistance kit (RE/U) 3 kW titane + spacer	WKITRES3D
	Straight resistance kit (RE/U, RE/I) 6 kW titane + spacer	WKITRES6D
	Straight resistance kit (RE/U, RE/I) 9 kW titane + spacer	WKITRES9D
	Straight resistance kit (RE/U, RE/I) 12 kW titane + spacer	WKITRES12D
A	Three phase safety thermostat (RE/N, RE/L)	WEG01407
B	Regulation thermostat Bulb 6	WEG01405
C	Pressure switch 153 ml/b	WCE03365
Others		
13	Body RE/L3 and 6 kW	WIB01606
13	Body RE/L9 and 12 kW	WIB01605
19/15	2 1/2 union connections Ø 63/50 (RE/LE)	W40RDL
24/16	Height adjuster + joint	R07233
17	Box	WIB01612
14	Split left/right nut	WIB01608

1

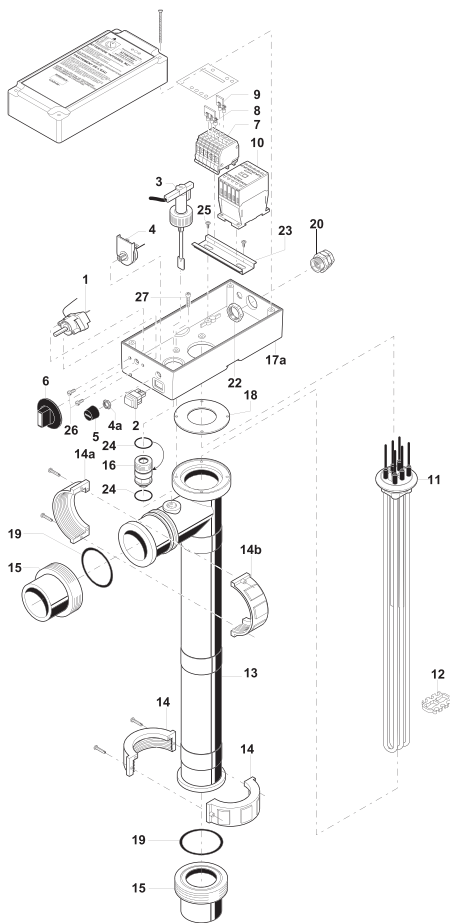


4



8

9



10



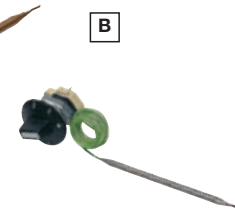
11



A



B



C

