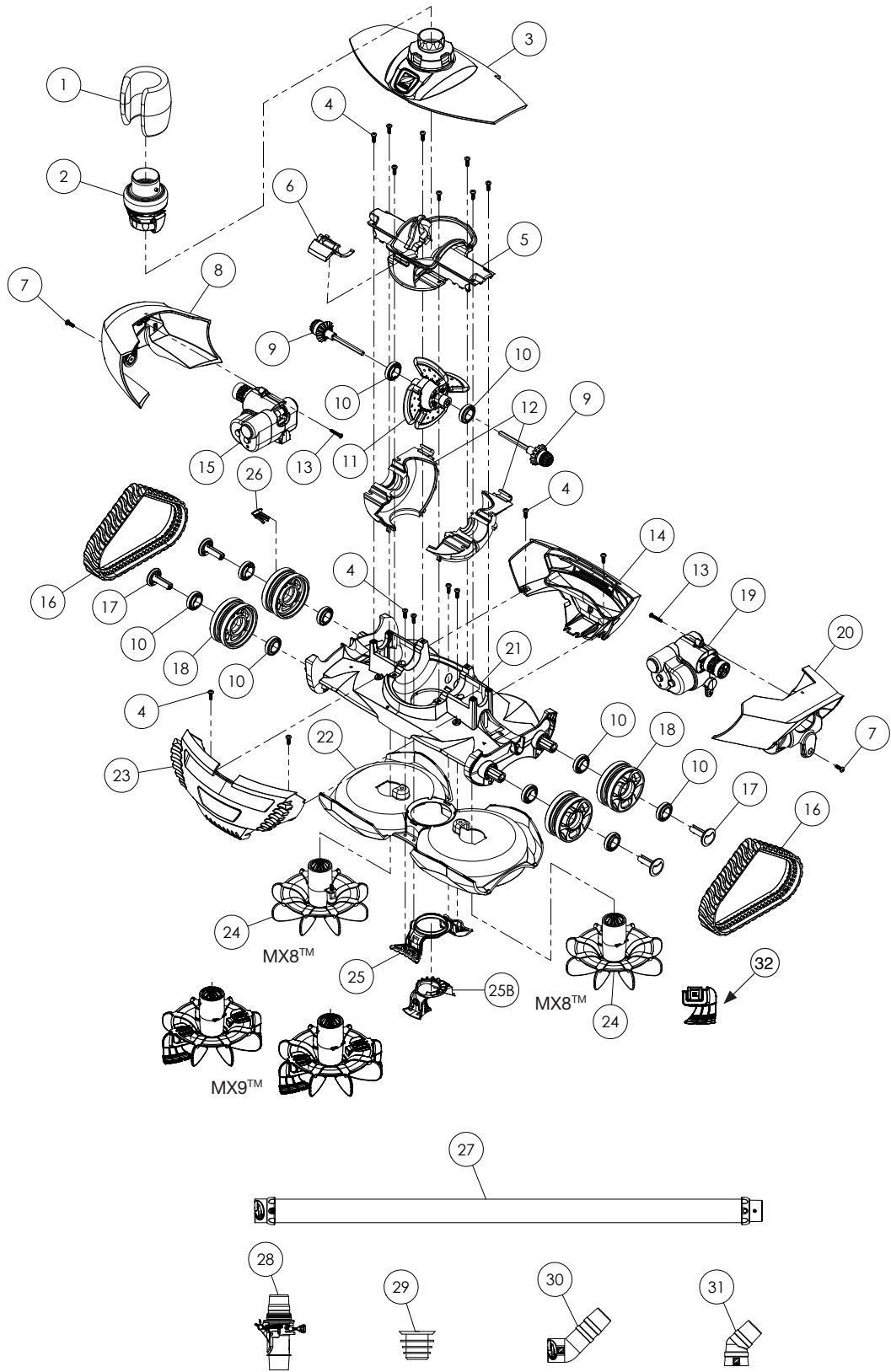




MX8™ / MX8™ PRO / MX9™



Position	Description	Mx8 / Mx8 PRO	Mx9
1	Hose float	W79032P	
2	Flow regulator valve	60001100	
3	Top cover/swivel assembly	W79018	
4	Screw m4x12mm phillips #2 pan head	W79035	
5	Middle drive motor housing	W79066	
	Engine Seal	W79029	
	Engine Ramp	W79028	
6	Cover latch 1	W79027	
7	Screw m4x12mm phillips #2 pan head w/ nylon patch	W79035	
8	Body panel - right	W79030	
9	Drive shaft assembly	W79015	
10	Bearing (wheel & engine)	W79034	
11	Drive motor assembly	W79013	
12	Lower drive motor housing - side A & side B	W79022	
13	Screw thread forming #6-18 7/8in type a phillips #2 pan head	W79036	
14	Body panel - rear	W79020	
15	Reversing assembly - side B	W79012	
16	Track	W79025	
17	Wheel pin	W79065	
18	Wheel	W79024	
19	Reversing assembly - side A	W79011	
20	Body panel - left	W79031	
21	Chassis assembly	W79062	
22	body tray	W79021	R0773700
23	body front panel (C)	W79019	R0773500
24	Scrubber (unit)	W79014	
24	MX scrubber kit + brushes(*2)		R0756300
25	Inlet assembly	W79017	
25B	Regular opening	W79047P	
26	Wheel speed indicator	A0235200	
27	Set of 6 1 meter twist lock hoses	W78056	
28	Automatic flow adjustment valve	W60055P	
29	In-ground valve cuff	W69657P	
30	Adjustable twist-lock 45 deg elbow extended	W73011P	
31	45 deg elbow	W70244	
32	MX Brushes (*4)		R0773600
	Cyclonic™ leaf catcher (page 36)	W37110	