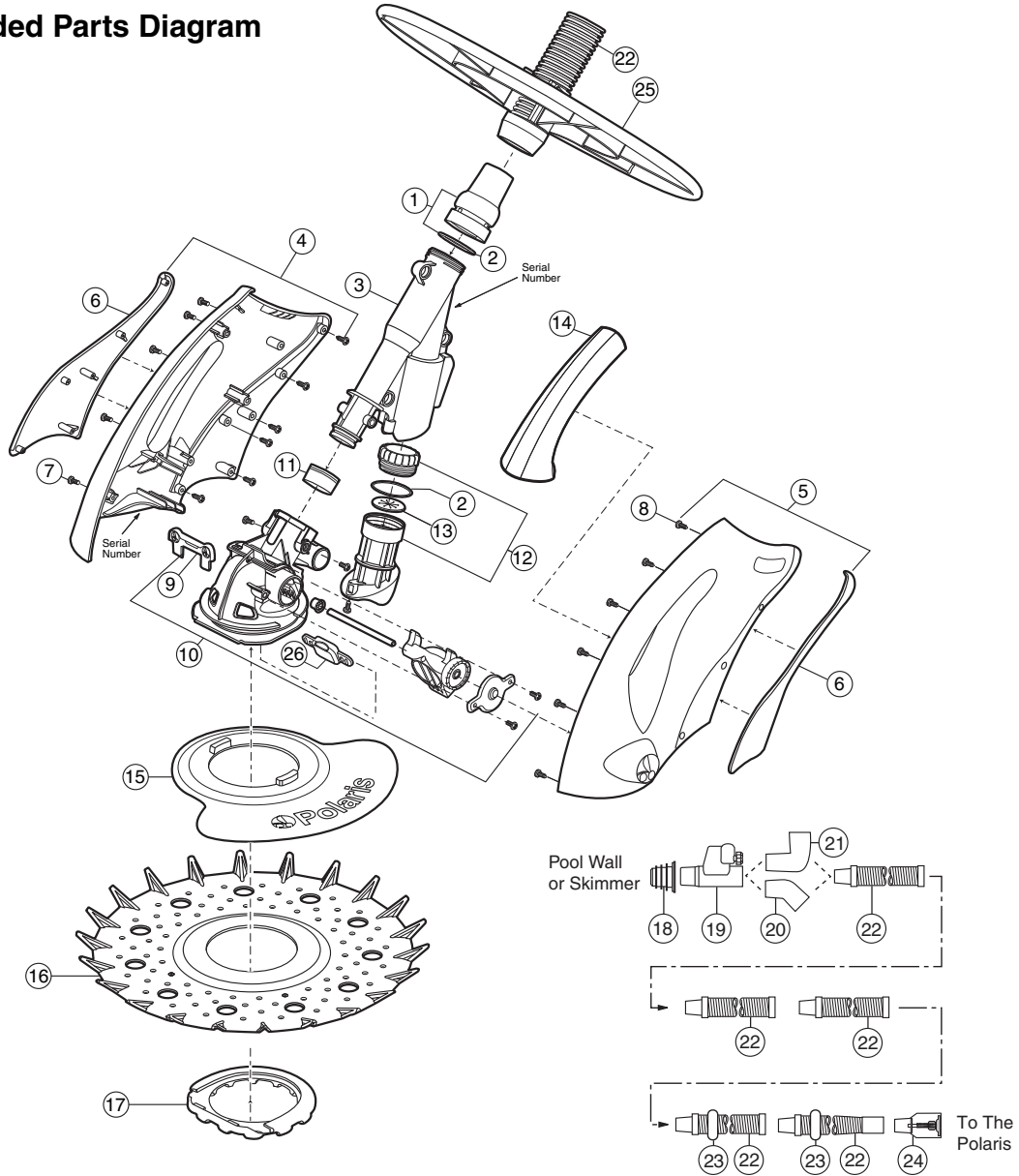


Polaris140/145

Exploded Parts Diagram



No.	Part	Description	Qty	No.	Part	Description	Qty
1	8-3000	Swivel Assembly	1	16	8-6010	Surface Disk*	1
2	8-4610	O-ring, Bypass Intake and Swivel	2	17	8-6005	Shoe for gunite pools, gray*	1
3	8-5005	Frame	1	17	8-6007	Shoe for vinyl pools, white*	1
4	8-2025	140 Housing Assembly, Left Side	1	18	5-7100	Universal Adapter	1
4	8-2045	145 Housing Assembly, Left Side	1	19	5-7000	Flow Regulator	1
5	8-2020	140 Housing Assembly, Right Side	1	20	5-7250	Elbow, 45-degree	1
5	8-2040	145 Housing Assembly, Right Side	1	21	5-7200	Elbow, 90-degree	1
6	8-2058	Housing Guards, Left/Right Side	1	22	5-5570	Single, Standard Hose	12
7	9-100-5117	Screw, 8-32 x 3/8" SS Pan Head	10	23	5-7300	Hose Weight	2
8	8-2061	Screw, #6 x 3/8" SS Pan Head, Self Tap	12	24	8-7050	Flow Indicator	1
9	8-4030	Ball Valve Stop Pad	1	25	8-6050	Deflector Ring	1
10	8-4005	Ball Valve Chamber Assembly	1	26	8-4075	Magnet Cap Pad	1
11	8-5010	Ball Valve Seat	1				
12	8-4500	Bypass Intake Assembly	1				
13	8-4605	Bypass Disk	1				
14	8-2030	Flotation Skirt	1				
15	8-6020	Steering Skirt	1				

* Wear items not covered by warranty.