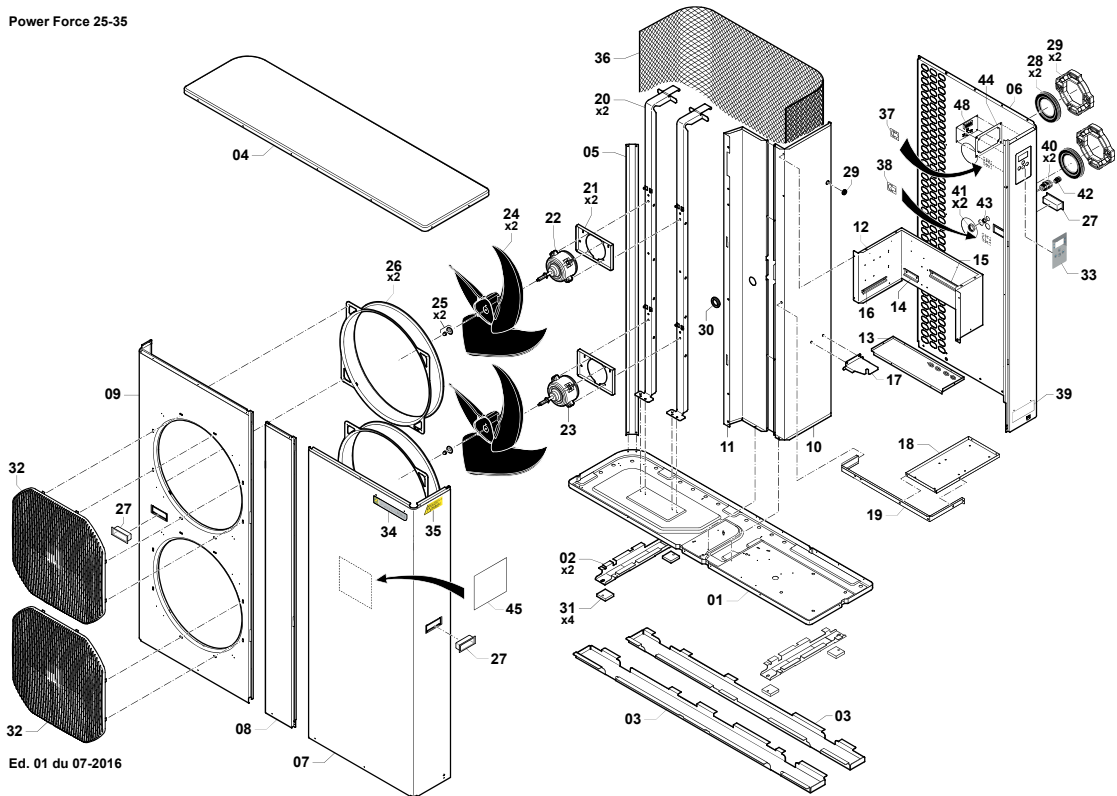
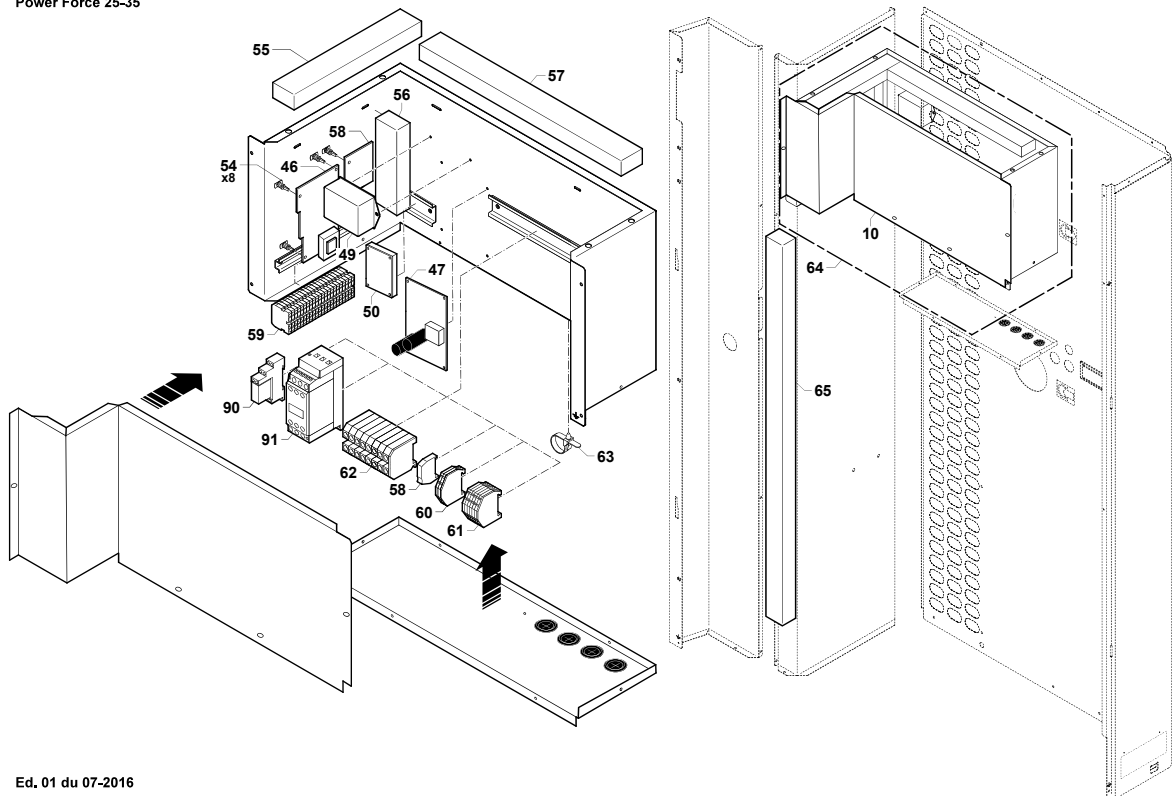


Power Force 25-35



Power Force 25-35



Position	Description	Reference
<b>Electrical spare parts</b>		
22	LOW fan motor	WTC03954
48	Adjustment display card A2	WTC03961
46	Adjustment main card A1	WTC03962
58	Expansion valve card A4	R07043
47	Fan card A3 + protective circuit	WTC03963

Position	Description	Reference
50	Housing resistance 45W compressor	WTC03964
	Protection circuit	WTC03974
52	Fuse terminal assembly 5 x 20 2 A	WTC04002
	Switch 25 A, 230 V, 50/60 Hz PFPREM 11 MD, PM3052 and Z300 MD5	WTC04001
	Phase controller (PREM TRI)	WTC03940
83	Temperature sensor	R06740
87	Temperature sensor	
88	Temperature sensor	
84 85	Temperature sensor	
49	Filter CEM 6 A, 250 V	WTC03982
	Varistore (S20K275)	WTC03988
	Klixon compressor	WTC04009
	Flow Switch	B0052400A
80	Compressor starter kit for Powerforce before 2016	WTC03977
<b>Refrigerating spare parts</b>		
66b	Compressor PowerForce 35	WTC03945
66a	Compressor PowerForce 25	WTC03946
69	Condenser PowerForce 25 and 35	R06959
70	Evaporator	WTC03947
75	4-way valve	WTC03948
73	Pressure reducer UKV32D	WTC03949
72	Deshy 164 S	WTC03950
71	Liquid bottle	WTC03951
74	Coil UKV-A102 LG700	WTC03959
76	4-way coil STEF-01AI518A1	WTC03960
<b>Casing</b>		
9	Double ventilation assembly	WTC03965
8	Front panel assembly with display location (up to 2015)	WTC03966
	front panel (from nov.2015)	M0143900A
7	Side panel	WTC03968
6	Rear panel (up to 2015)	WTC03969
	Rear panel with display location (from nov. 2015)	M0144000A
4	Top panel assembly	WTC03970
5	Left rear upright	WTC03971
1/2/3	Base	WTC03973
<b>Others</b>		
101	Condensate manifold PowerForce	W20COLPAC2535EN
102	Condensate manifold PowerForce	W20COLPAC2535SO
103	Joint for 50 x 1' 1/2 union	WNS03428
68	Compressor insulation	WTC03952
24	Propeller	WTC03955
32	Fan protection grate	WTC03956
36	Grill 1350x1490 mm	WTC03957
26	Plastic ferrule	WTC03958
33	Lexan	WTC03967
27	Plastic handle + seal	WTC03972
21	Ventilation support upright	WTC03976
	Card seal A2	WTC04008
	Condenser connection bracket	R06627
103-104-105	3 pieces connection kit diam. 63	WNS01791
	Condenser outlet connector with tapping+gasket (before 2016)	R0611001
	Condenser outlet connector 3 fixations with tapping+gasket	A0358000A
	Condenser inlet connector with tapping+gasket (before 2016)	R0611301
	Condenser inlet connector 3 fixations with tapping+gasket	A0357800A
<b>Accessories</b>		
	Remote control module	WTC04004
	Cleaning Kit PAC NET	WMA03491
	Condensate tray	R07241

\* All electric parts on single phased Heat Pumps are sold without condensers.

