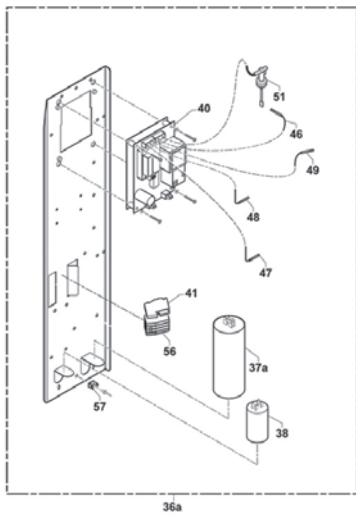
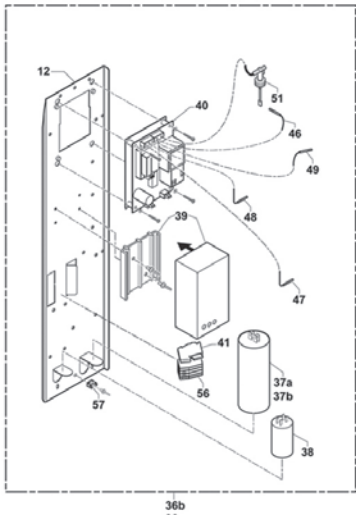
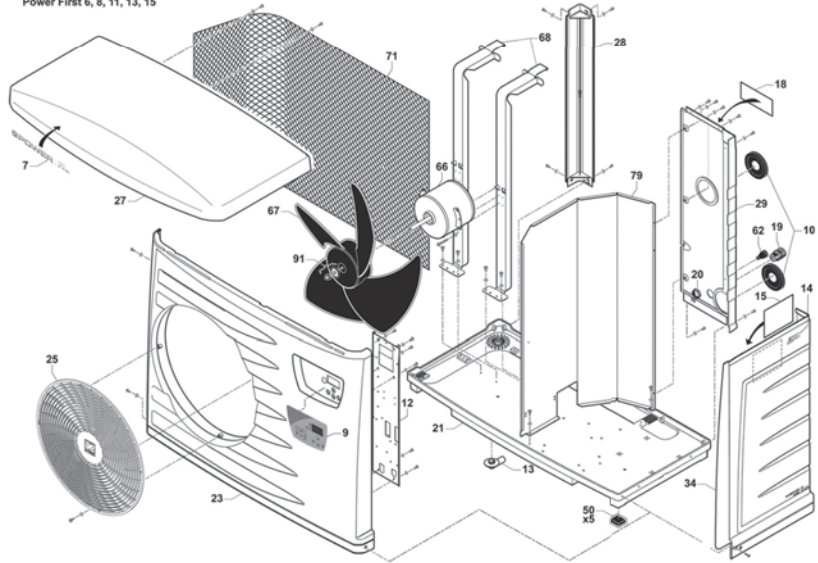




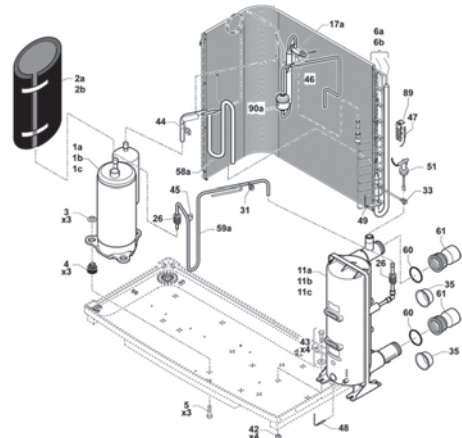
# Power First 6, 8, 11, 13 et 15



Power First 6, 8, 11, 13, 15

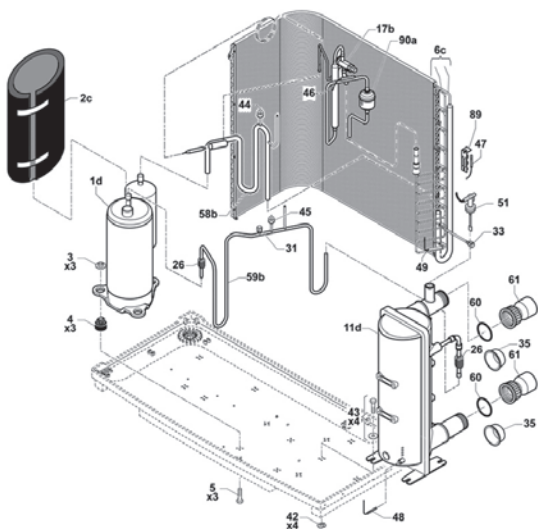


Power First 6, 8, 11

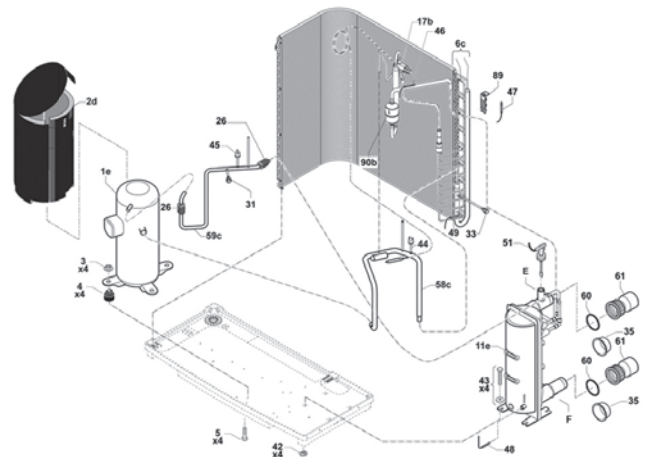


Power First 13

Power First 13



Power First 15



Position	Description	Reference
<b>Electrical spare parts</b>		
36a	Powerfirst 6 and 8 mono complete electric plate	WCE03706
36b	Powerfirst 11 mono complete electric plate	WCE03830
36c	Powerfirst 13 and 15 mono complete electric plate	WCE03828
40	Regulation plate	WCE03712
48	White NTC "water temperature" sensor (plastic tip)	WCE03850
49	Grey NTC "defrosting temperature" sensor (plastic tip)	WCE03850
47	Black NTC "anti-freeze temperature" sensor (plastic tip)	WCE03850
46	Red NTC water flow indicator (plastic tip)	WCE03850
51	Noryl flow controller	WSK02022
66	Ventilator motor	WTC03783
37a	50 µF Powerfirst 6, 8 and 11 single alu compressor capacitor	B0181100A
37b	60 µF Powerfirst 13 and 15 single alu compressor capacitor	B0181800A
38	5 µF fan capacitor	WCE03714
39	Gradual starter for Powerfirst 11, 13 and 15	WCO03845
<b>Refrigerating spare parts</b>		
1a	Monophase Powerfirst 6 compressor	WTC03827
1b	Monophase Powerfirst 8 compressor	WTC03828
1c	Monophase Powerfirst 11 compressor	WTC03870
1d	Monophase Powerfirst 13 compressor	WTC03900
1e	Monophase Powerfirst 15 compressor	WTC03904
6a	Evaporator battery for Powerfirst 6 and 8 single	WTC03894
6b	Evaporator battery for Powerfirst 11 single	WTC03899
6c	Evaporator battery for Powerfirst 13 and 15 single	WTC03902
11a	Condensor for Powerfirst 6 single	R06960
11b	Condensor for Powerfirst 8 single	R06961
11c	Condensor for Powerfirst 11 single	R06963
11d	Condensor for Powerfirst 13 single	R06954
11e	Condensor for Powerfirst 15 single	R06957
90a	053S Dehydrator for Powerfirst 6, 8, 11 and 13 single	WCY00995
90b	084S Dehydrator for Powerfirst 15 single	WCY00997
17a	BBIZE 2 Expansion valve for Powerfirst 6, 8 and 11 single	WTC03906
17b	BBIZE4 3/8 1/2 Expansion valve for Powerfirst 13 and 15 single	WTC03903
44	LP pressure switch* 0.5/2 bars	WTC03815
45	HP pressure switch* 4233 Bars	WTC03816
<b>Others</b>		
21	Base	WPV01002
23 9	Front face	WPV01003
9	Lexan	WCE03829
25	Fan grid	WPV01006
27	Cover	WPV01001
28	Casing corner	WPV01005
29	Rear panel	WPV01004
34	Access Technical access panel	WPV01007
60	Half-union connection joint (item) 32/47 thickness 5 mm	WNS03428
61 60	Set of 2 half union connections 11/2 50 + joints	W20RDU
67	Ventilator fan	WTC03784
E	Hydraulic connector - condenser outlet with tapping + gasket	R0611001
F	Hydraulic connector - condenser inlet + gasket	R0611301