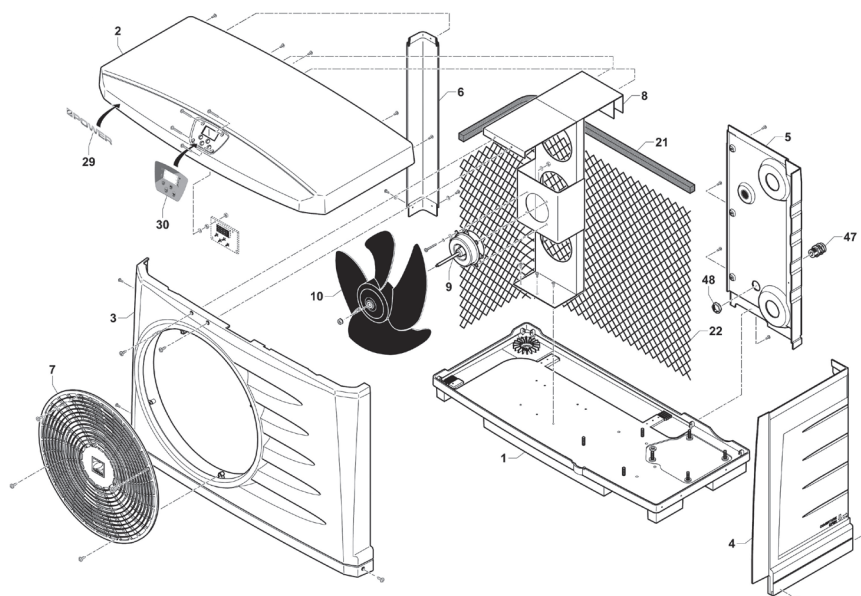


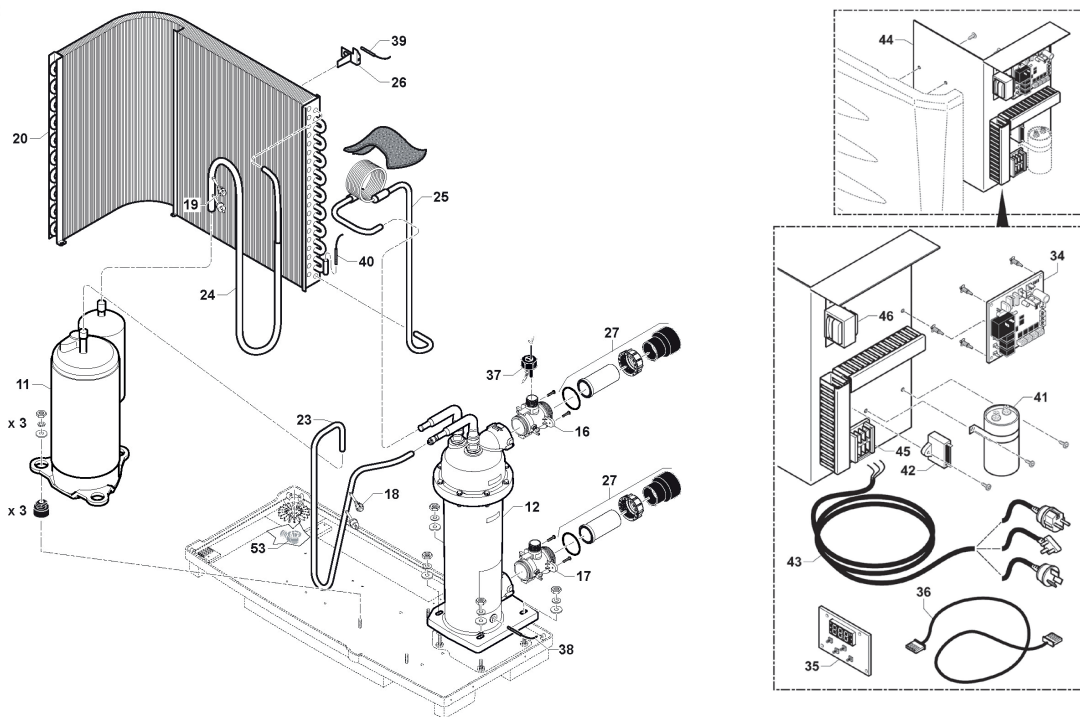


Z200 et PI20

Spare Parts



Position	Description	Reference Z200	Reference PI20 - Power
Electrical spare parts			
34	PCB Board non Easy Connect R410A version		R08105
	PCB Board Easy Connect R410A version	R08109	WWA01069
	PCB Board R32 version	R08569	R08569
	PCB Board R32 defrost version		R08767
35	User Interface and lexan non Easy Connect version	R07238	R07237
	User Interface and lexan non Easy Connect version		R07239
36	Link cable (PCB - User interface)		WWA01043
38	Water Temperature sensor		WWA01045
39	Air Temperature sensor		WWA01046
40	Defrost Temperature sensor		WWA01047
37	Water flow switch		V0088000A
9	Motor fan 5, 7 and 9 KW		WWA01009
	Motor fan 11 KW		WWA01066
41	Compressor Capacitor Mitsubishi 5 KW 30µF		WWA01048
	Compressor Capacitor Toshiba 5 KW 35µF		B0049500A
	Compressor Capacitor Mitsubishi 7 KW 40µF		WWA01049
	Compressor Capacitor Toshiba 7 KW 45µF		B0049700A
	Compressor Capacitor Toshiba 9 KW 50µF		WWA01050
	Compressor Capacitor Panasonic 9 KW 60µF		B0049900A
42	Compressor Capacitor 11 KW 55µF		WWA01068
	Fan Capacitor 5, 7 and 9 KW 2µF		WWA01051
44	Fan Capacitor 11 KW 4µF		WWA01071
	Electrical plate complete (without Capacitor)		WWA01052
43	Electrical plate complete new capacitor (since 2014)		B0048800A
	Electric cable		WWA01055
51	Heating priority relay		B0049400A
52	Board for remote control		B0049100A
46	230/10,5V transformer		R06707
-	Electric terminal strip + protection		WWA01097
	Easy connect wires kit		R06916
Refrigerating spare parts			
11	Compressor Mitsubishi 5 KW R410A		WWA01011
	Compressor Toshiba 5 KW R410A		V0088800A
	Compressor 5 kW R32		R0850300
	Compressor Mitsubishi 7 KW R410A		WWA01012
	Compressor Toshiba 7 KW R410A		V0089200A
	Compressor 7 kW R32		R0850900
	Compressor Toshiba 9 KW R410A		WWA01013
	Compressor Panasonic 9 KW R410A		V0089700A
	Compressor 9 kW R32		R0851000
	Compressor Toshiba 11 KW R410A		WWA01067
20	Compressor 11 kW R32		R0851100
	Evaporator 5 KW		WWA01023
	Evaporator 7 KW		WWA01024
	Evaporator 9 and 11 KW		WWA01025



Position	Description	Reference Z200	Reference PI20 - Power
12	Condenser 5 KW (before 2014)	WWA01072	
	Condenser 5 KW	V0089800A	
	Condenser 7 KW	V0089900A	
	Condenser 9 KW (before 2014)	WWA01074	
	Condenser 9 KW	V0090000A	
	Condenser 11 KW (before 2014)	WWA01075	
	Condenser 11 KW	V0090100A	
	Condenser tank	R08015	
18	Pressure switch HP (to be welded)	WWA01021	
19	Pressure switch LP (to be welded)	WWA01022	
-	4 way valve Z200 defrost MD2 MD3 PI2021D PI2031D R32	R08768	
	4 way valve Z200 defrost MD4 MD5 PI2041D PI2051D R32	R08769	
	4 way valve coil Z200 defrost PI20D R32	R08770	
	ONE WAY VALVE Z200D PI20D DEFROST R32	R08771	
Others			
-	Compressor acoustic cover Toshiba 9 and 11kW R410A	WWA01080	
	Compressor acoustic cover Toshiba 5 KW R410A	T0041700A	
	Compressor acoustic cover Toshiba 7 KW R410A	T0041800A	
	Compressor acoustic cover Panasonic 9 KW R410A	T0041600A	
	Compressor acoustic cover 5 KW R32	R0855300	
	Compressor acoustic cover 7 KW R32	R0855400	
	Compressor acoustic cover 9 KW R32	R0855500	
	Compressor acoustic cover 11 KW R32	R0855600	
30	Lexan	H0442000B	
	Protective cap	R08070	
27	PC union	WWA01083	
16	Condenser outlet water connection with tapping	WWA01019	
	Condenser outlet water connection with tapping (since 2014)	A0260300A	
17	Condenser inlet water connection	WWA01020	
	Condenser inlet water connection (since 2014)	A0260200A	
26	Temperature sensor bracket	WWA01037	
10	Fan	WWA01010	
29	Sticker	H0442100A	WWA01039
53	Condensate water device	A0260100A	
Casing			
1	Base	WWA01001	
2	Cover	A0259500A	WWA01002
3	Front panel	A0259600A	WWA01003
4	Technical Door	A0259700A	WWA01004
5	Rear panel	A0259800A	WWA01005
6	Angle	A0259900A	WWA01006
7	Grid	A0260000A	WWA01087
8	Fan Support	WWA01008	
22	Evaporator protection	WWA01027	
-	Wintering cap	WPC02908	
Accessories			
-	Winter cover	R07094	
	Cleaning Kit HP	WWA03491	
	Remote control	WH000200	WH000200