

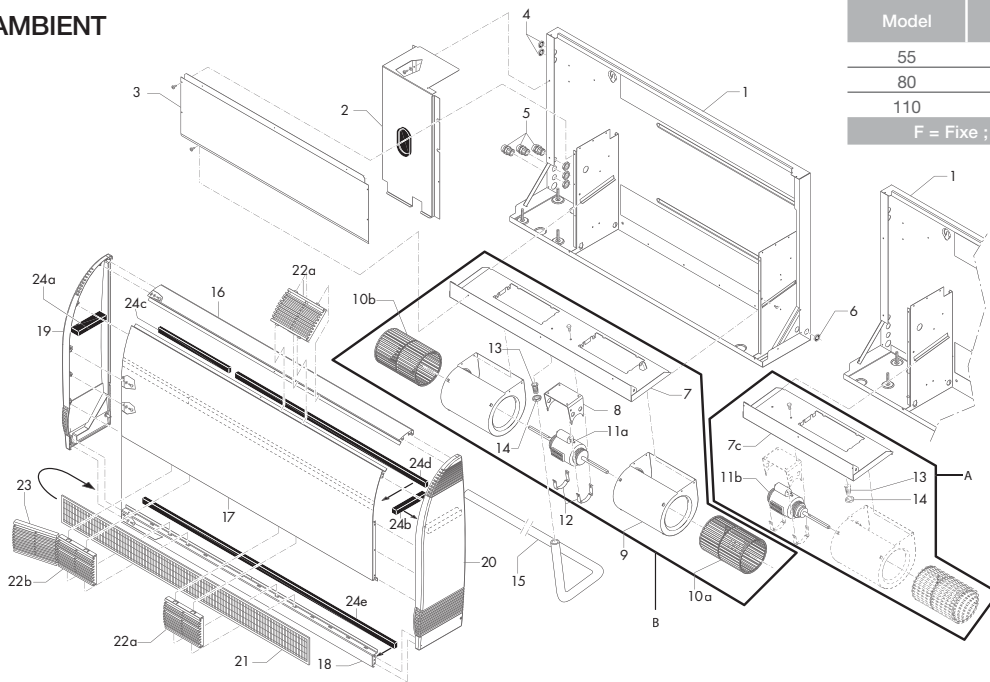


# Sirocco et DT 850

Spare Parts

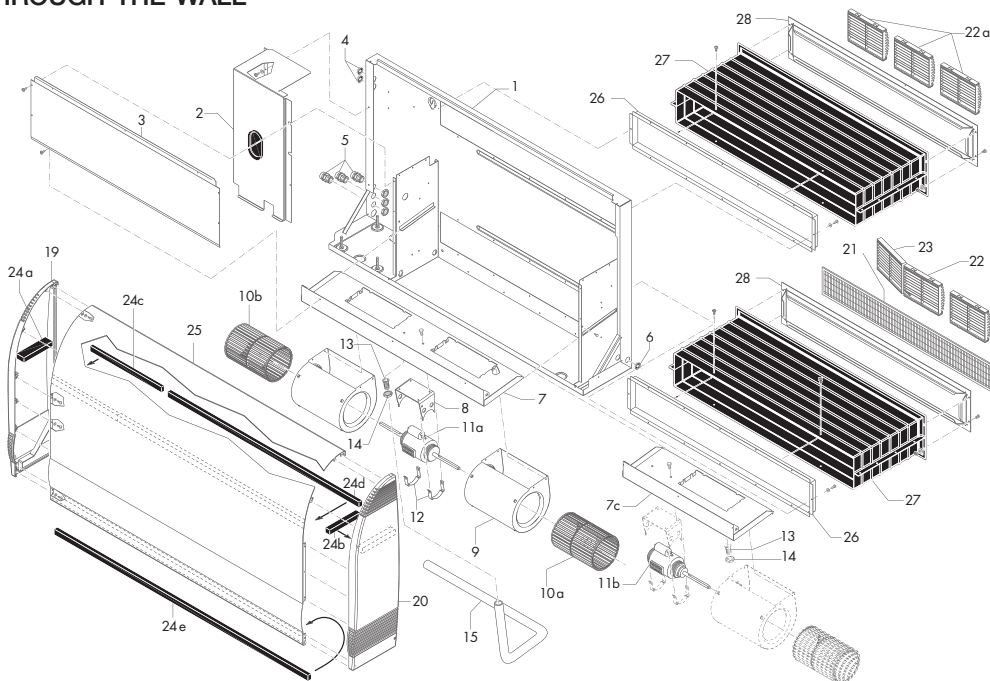
Sirocco 55, 80, 110

## AMBIENT



Model	Ambient	Through-the-wall
55	8F + 1M	4F + 1M
80	10F + 1M	6F + 1M
110	12F + 1M	8F + 1M
F = Fixe ; M = Mobile + Fixe		

## THROUGH-THE-WALL



Position	Description	Reference
<b>Electrical spare parts</b>		
50	Defrosting sensor (grey)	WCE01312
	Extraction sensor	WCE01311
	Regulator ECP 600	WCE06000
	Resistance ( electric heating option) - Sirocco 50 - 2KW	WEG01422
	Resistance ( electric heating option) - Sirocco 80 - 3KW	WEG01423
	Resistance ( electric heating option) - Sirocco 110 - 4,5kW	WEG01424
	Compressor capacitor 25µf	B0181300A
	Compressor alu capacitor 35µf (SIROCCO 80)	B0181400A
	Compressor capacitor 40 µF C2	B0181500A
	Fan capacitor 3µf (SIROCCO 55, 80, 110)	WSG01935
	Starter relay KA4	W20REDE
	Ventilation set (SIROCCO 55)	WTC03074
	Ventilation set (SIROCCO 80)	WTC03075
	Ventilation set (SIROCCO 110)	WTC03076
C	Hygro control + sensor**	WD000001
	Hygro control sensor	WCE03431
D	Standard wall hygrostat	WCE01314
<b>Refrigerating spare parts</b>		
29	Compressor (SIROCCO 55) RK5512C single ph.	WTC03071
	Compressor (SIROCCO 80) Mitsubishi RE247VHSMT single ph.	WTC03080
	Compressor ZR22 mono 407C 4 feet	WCO02576
	Compressor (SIROCCO 110) 3 ph.	WCO03848
38	Expansion valve TX3 N13 407C (SIROCCO 55)	WTC03070
	Expansion valve TX3 N34 407C (SIROCCO 80)	WAC02497
	Expansion valve TX3 N35 407C (DF303)	WAC02498
39	HP Pressure switch* 20-26 B	WJC01669
40	LP Pressure switch* 0.5/2 B	WJC01668
	Dehumidifier 053S (OPTIPAC 2, 3, 3D)	WCY00995
<b>Others</b>		
21	Filter (SIROCCO 55 Ambient) Size 135 x 940 mm	WSD01913
	Filter (SIROCCO 80 Ambient) Size 135 x 1130 mm	WSD01914
	Filter (SIROCCO 110 Ambient) Size 135 x 1320 mm	WSD01915
	Filter (SIROCCO 55 Through-the-wall) Size 135 x 560 mm	WSD01911
	Filter (SIROCCO 55 Through-the-wall) Size 135 x 750 mm	WSD01912
	Filter (SIROCCO 55 Ambient) Size 135 x 940 mm	WSD01913
22a	Fixed grate	WIB01637
22b / 23	Removable + fixed grate	WGRILSIROCO
	Manual overheating thermostat	WJP01682
	Automatic overheating thermostat	WJP01681
12	Motor fan mounting clip	WTC03893
	Anti vibration pegs (to order by 4)	WAP03064



## DT 800, 850 &amp; 850E

Position	Description	Reference
<b>Electrical spare parts</b>		
1	Fan motor DT 850 E	WAM01000
	Electronic card DT 850 E + Display DT 850 E	WAM01004
3	Defrosting clock 15.1	WAM00981
	Defrosting clock 14.1	WAM00990
	Compressor capacitor 25µf	B0181300A
	Compressor capacitor 40 µF C2	B0181500A
<b>Refrigerating spare parts</b>		
4	Compressor RG171JT (DT850)	WAM03080
	Compressor DT 850 E to R407C	WAM01001
	Compressor DT 850 E to R410A	WAM01002
<b>Others</b>		
	Fan capacitor 2µf	WWA01051
	Turbine DT 850 E	WAM01003
	Turbine give the type - DT800 or DT850	WAM03069
	Lexan DT 850 E	WAM01006
	Filter give the type - DT800 or DT850 or DT850E	W28FIDT5

\* For all orders for spare parts please give the serial number of the dehumidifier.

\*\* The hvac-control can replace a hvac-thermostat from the previous generation if the dehumidifier is fitted with an ECP600 regulator.