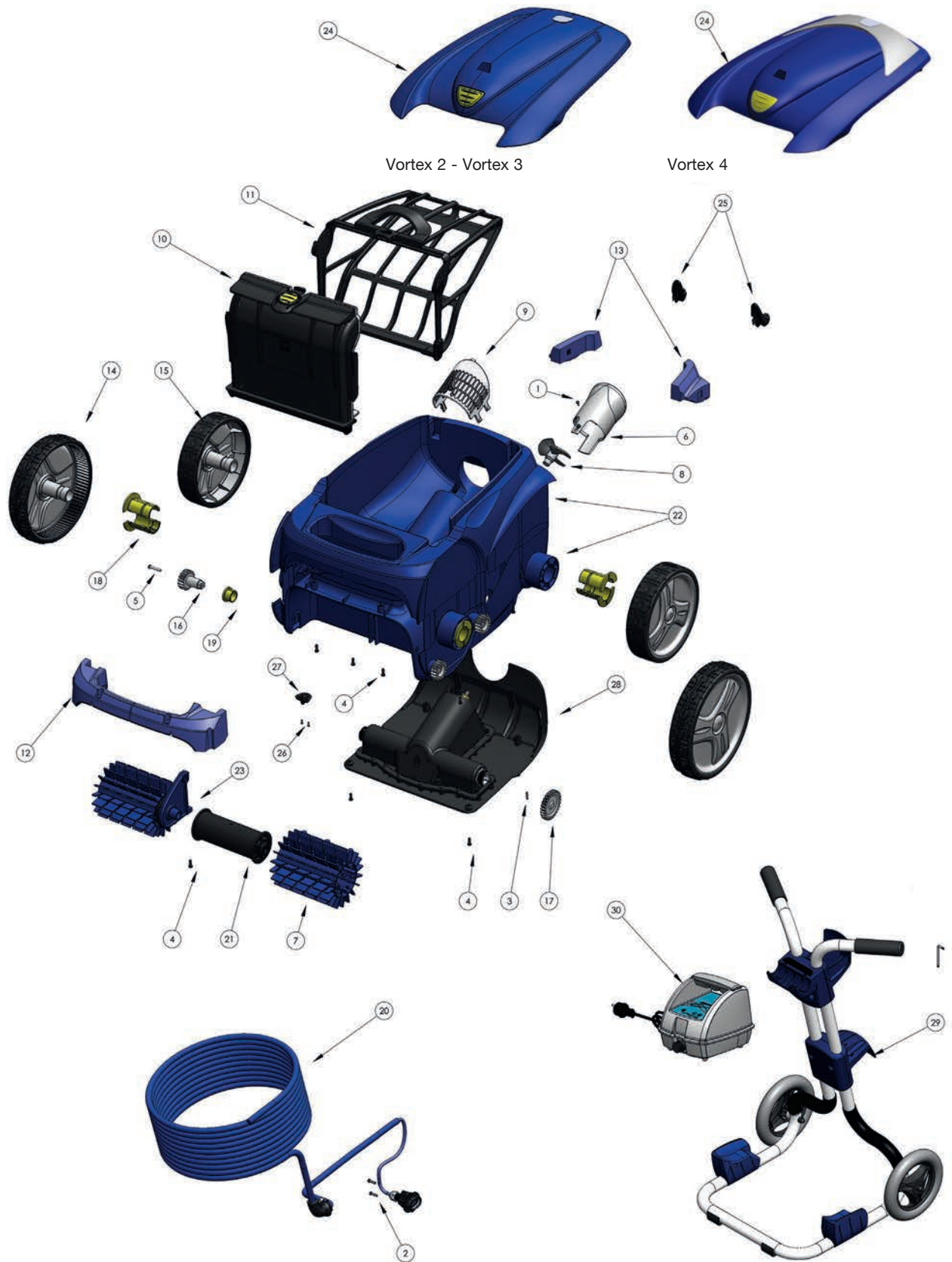




# Vortex™ 2 / 3 / 4



Position	Description	VORTEX 2	VORTEX 3	VORTEX 4
1	Screw 2.9*9.5 mm (set of 5)		R0639200	
2	Screw 4*16 mm (set of 5)		R0608500	
3	Motor block shaft pin (set of 5)		R0567800	
4	Screw 4*12 mm (set of 5)		R0516700	
5	Screw 4*25 mm (set of 5)		R0638900	
6	Flow outlet		R0517500	
7	Zodiac brush (set of 2)		R0635900	
8	Propeller		R0517000	
9	Motor screen		R0517600	
10	Filter canister support		R0517700	
11	Fine filter v		R0636600	
12	Float		R0539700	
13				
14	Tire large black zodiac		R0636201	
	Rim large r9022 zodiac		R0636001	
15	Tire rear black zodiac		R0636300	
	Rim rear r9022 zodiac		R0636100	
16	17 Gear (*2)		R0639000	
17	Drive gear (set of 2)		R0518800	
18	Wheel bushing zodiac		R0636700	
19	Outer bearing (*2)		R0639100	
20	Floating cable 15m	R0636800		
	Floating cable 18m		R0516800	
	Floating cable 21m			R0528700
21	Brush roller		R0517400	
22	Main housing 2wd ii		R0589100	
23	Roller support		R0518700	
24	Hood blue	R0544700		R0638500
25	Roller (set of 2)		R0518100	
26	Screw 2.2*6,5 mm (*5)		R0564500	
27	Rampe		R0519000	
28	Motor block type a	R0637800		
28	Motor block type B			R0637900
29	Ec a caddy		W1889A	
30	Control unit type 5v	R0637300		
30	Vortex™ 3 control unit		W1888B	
30	Vortex™ 4 control unit			W2076B
31	Control unit base	R0662600		
	Ultra fine filter v		R0638600	
	Large filter v		R0643700	
	Fine filter v		R0636600	
	Protective cover (for w1889a caddy)		W1581B	
	Tire large tile zodiac		R0636400	