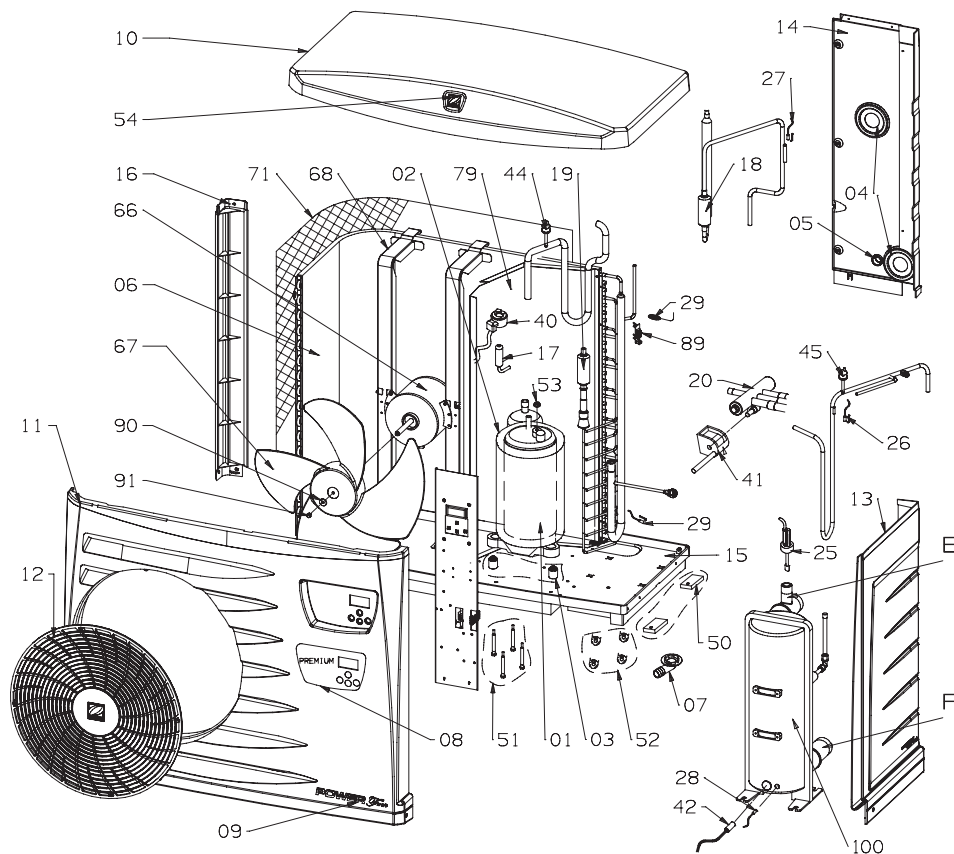
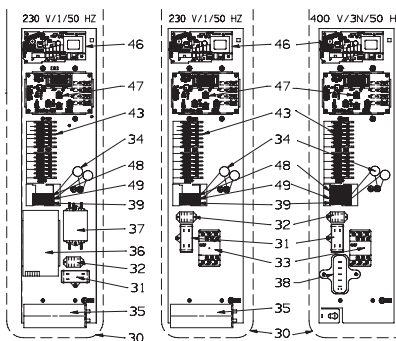
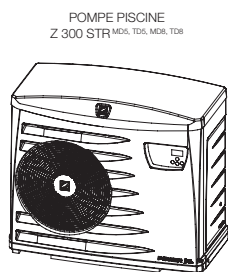




# Z300, PM30 and POWERFIRST Premium



08101041-00



Position	Description	Reference Z300	Reference PM30	Reference PF Premium
	Condenser connection bracket		R06415	
71	Protective grille 1045 x 765		WTC03896	
E	Condenser outlet connector with tapping+gasket (before 2016)		R0611001	
	Condenser outlet connector 3 fixations with tapping+gasket		A0358000A	
F	Condenser inlet connector with tapping+gasket (before 2016)		R0611301	
	Condenser inlet connector 3 fixations with tapping+gasket		A0357800A	
	Set of 2 half union connections		W20RDU	
<b>Accessories</b>				
	Condensate tray + elbow		R07242	
	Remote control module		WTC04004	
	Local facility kit		W20KITPPPREMLT	
	Winter cover		R07095	
	Cleaning Kit PAC net		WMA03491	

# Reversible version

Position	Description	Reference Z300	Reference PM30	Reference PF Premium
<b>Pièces détachées électriques</b>				
25	Flow rate switch		WTC03943	
26	Compressor ST5 discharge probe		R06740	
27	ST4 liquid probe		R06740	
28	ST1 regulation probe		R06740	
29	ST2/ST3 antifrost and defrost probes		R06740	
30	Set Electrical PFPREM11/15 TD, PM3056/76 and Z300 TD5/8		WTC03934	
	Set electrical PFPREM 11 MD, PM3052 et Z300 MD5		WTC03933	
	Set electrical PFPREM 15 MD, PM3072 et Z300 MD8		R07319	
31	Condenser 5 µF		WTC03936	
33	Switch 25 A, 230 V, 50/60 Hz PFPREM 11 MD, PM3052 and Z300 MD5		WTC04001	
	Switch 18 A, PFPREM11/15 TD, PM3056/76 and Z300 TD5/8		WTC03937	
	Switch Kit PM3072, Z300 MD8		R07473	
34	Varistore (S20K275)		WTC03988	
35	Capacitor alu 55 µF PFPREM 11MD, PM3052 et Z300 MD5		B0181700A	
	Capacitor alu 60 µF PFPREM 15MD, PM3072 et Z300 MD8		B0181800A	
38	Phase controller (PREM TRI)		WTC03940	
40	Coil SAG UKV A053		WTC03941	
41	4-way coil valve		WTC03990	
42	Condenser antifrost resistance 55W L500 (11MD, 11TD, 15MD, 15TD)		WTC03991	
44	Pressure switch, low pressure		WTC03815	
45	Pressure switch, high pressure		WTC03816	
46	Main card A1 + expansion valve card A4 set		R07151	
	Main card A1		WTC03944	
	Expansion valve card A4		R06931	
47	Display card A2		WTC03939	
66	Fan Motor		WTC03783	
	Starter booster		R07445	
	25A Filter (PF PREM 15 MD, Z300MD8)		WTC04000	
<b>Pièces détachées frigorifiques</b>				
100	Condenser PFPREM 11 MD/TD, PM3052/56 and Z300 MD5/TD5		R06963	
	Condenser PFPREM 15 MD/TD, PM3072/76 and Z300 MD8/TD8		R06957	
1	Compressor PFPREM 11MD, PM3052 et Z300 MD5		WTC03922	
	Compressor PFPREM 11TD, PM3056 et Z300 TD5		WTC03923	
	Compressor PFPREM 15MD, PM3072 et Z300 MD8		WTC03924	
	Compressor C-SBP160H38A PFPREM 15TD, PM3076 et Z300 TD8		WTC03999	
	Evaporator		WTC03986	
	Pressure reducer UKV for PFPREM 11 MD/TD, PM3052/56 and Z300 MD5/TD5		WTC03928	
	Pressure reducer UKV 30D33 for PFPREM 15 MD/TD, PM3072/76 and Z300 MD8/TD8		WTC03994	
	4-way valve		WTC03989	
<b>Sheet metal</b>				
10	PFPREM cover	A0260500A	WPV01001	
11	PFPREM front panel	A0260400A	WPV01003	
12	PFPREM grille	A0260900A	WPV01006	
13	PFPREM technical door	A0260700A	WPV01007	
14	PFPREM rear panel	A0260800A	WPV01004	
15	PFPREM base		WPV01002	
16	PFPREM upright	A0260600A	WPV01005	
<b>Other</b>				
2	Compressor insulation PFPREM 11, 13		WTC03926	
	Compressor insulation PFPREM 15		WTC03993	
7	Condensate drainage tube		WTC02971	
8	PREMIUM Lexan	H0445800A	H0512300A	WTC03942
67	4-vane propeller		WTC03784	
68	Fan motor bracket		WTC03895	