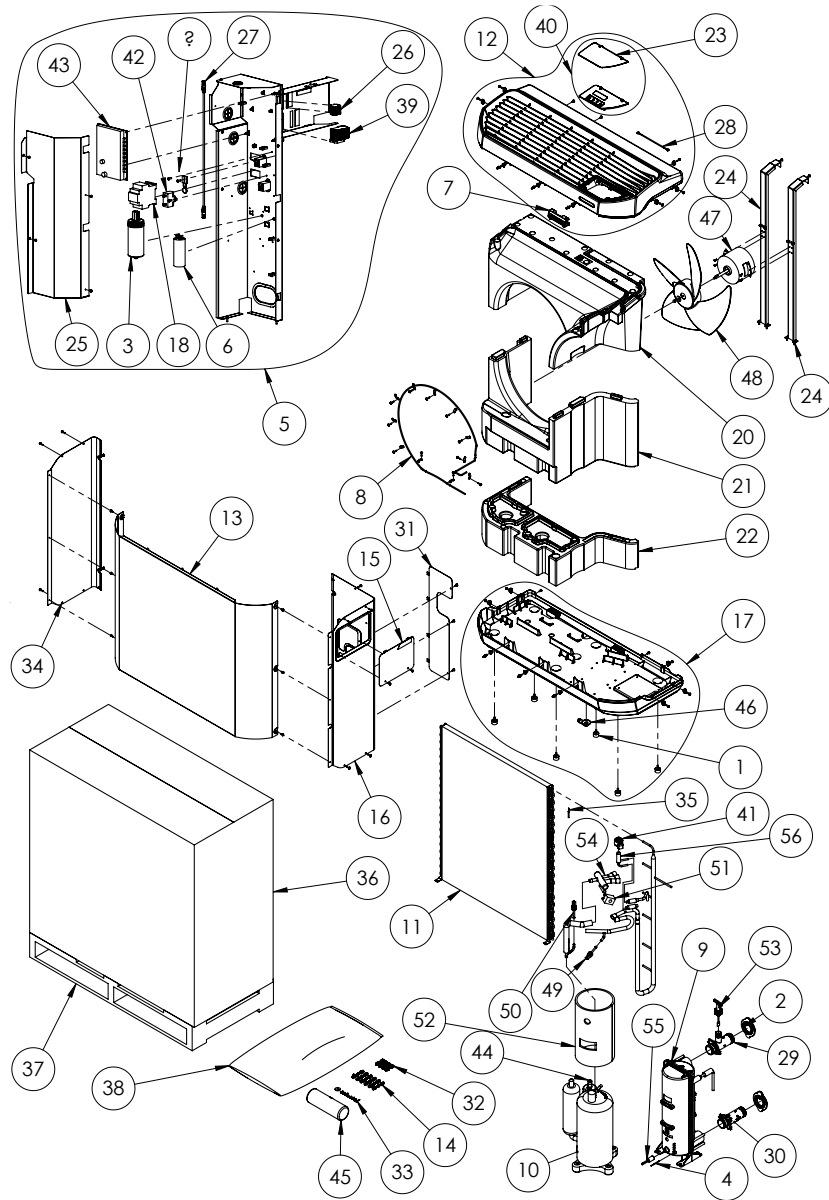




Z400iQ

Spare Parts



Position	Description	Reference
Electrical spare parts		
1	Anti-vibratile plots (Z400iQ)	A0261100A
3	Capacitor ALU 60µF	B0181800A
4	Temperature Sensor ST1, ST3, ST4, ST5	R06740
5	Electrical box Z400iQ MD4/MD5	R0811100
	Electrical box Z400iQ MD7	R0811200
	Electrical box Z400iQ MD8	R0811400
	Electrical box Z400iQ MD9	R0815000
	Electrical box Z400iQ TD7	R0811300
	Electrical box Z400iQ TD8	R0811500
6	Electrical box Z400iQ TD9	R0815100
	Fan capacitor Normal Speed Z400iQ	R0811600
	Kit complete led Z400iQ	R0811900
8	KIT HEATING CABLE FIXTURE Z400iQ	R0812000
18	Contacteur Z400iQ MD4/MD5/TD9 (18A)	WCF01113
	Contacteur Z400iQ MD7 (25A)	R0815300
	Contacteur Z400iQ MD8/MD9 (32A)	B0245900
	Contacteur Z400iQ TD7/TD8 (12A)	R0815500
19	Varistor Z400iQ	R0815700
23	HMI Cover Z400iQ	R0817800
25	Electrical box door Z400iQ	R0818600
26	Terminal Block accessories Z400iQ	R0818700
27	Cable PCB Main Card / HMI Z400iQ	R0818800
28	Cable HMI / LED Z400iQ	R0818900
35	Temperature Sensor ST2	R0827600
39	Terminal block Z400iQ MD4/MD5/MD7/TD7	R0840800
	Terminal block Z400iQ MD8/TD8/MD9/TD9	R0840900
42	Fan capacitor Silence Speed Z400iQ	R0849900
43	Main Card A1 WIFI Z400iQ	R0854200
	Main Card A1 Z400 (before 2019 non iQ)	R0811700

Position	Description	Reference
47	Fan Motor	WTC03783
48	4 Blades propeller	WTC03784
53	Flow switch	WTC03943
55	Condenser antifrost resistance 55W	WTC03991
57	Smart Start Z400iQ	R0856600
Refrigerating spare parts		
2	HEAT EXCHANGER RING	A0353900A
3	PHASE CONTROLLER	WTC03940
9	Condenser Z400iQ MD4/MD5	R08121
	Condenser Z400iQ MD7/TD7	R08122
	Condenser Z400iQ MD8/TD8/MD9/TD9	R08123
10	Compressor Z400iQ MD4	R0812400
	Compressor Z400iQ MD5	R0812500
	Compressor Z400iQ MD7	R0812600
	Compressor Z400iQ MD8	R0812800
	Compressor Z400iQ MD9	R0813000
	Compressor Z400iQ TD7	R0812700
	Compressor Z400iQ TD8	R0812900
	Compressor Z400iQ TD9	R0813100
11	Evaporator Z400iQ MD4/MD5	R0813200
	Evaporator Z400iQ MD7/TD7	R0813300
	Evaporator Z400iQ MD8/TD8/MD9/TD9	R0813400
20	Air conveyor top Z400iQ MD4/MD5/MD7/TD7	R0817200
	Air conveyor top Z400iQ MD8/TD8/MD9/TD9	R0817500
21	Air conveyor bottom Z400iQ MD4/MD5/MD7/TD7	R0817300
	Air conveyor bottom Z400iQ MD8/TD8/MD9/TD9	R0817600
22	Air conveyor bottom wedge Z400iQ MD7/TD7	R0817400
41	Expansion valve bobin ukv a053 Z400iQ	R0848600
44	Liquid separator Z400iQ MD4/MD5/MD7/TD7	R0855100
	Liquid separator Z400iQ MD8/TD8/MD9/TD9	R0855200
46	Condensate evacuation elbow	WTC02971
49	Lp switch	WTC03815
50	Hp bar pressure switch	WTC03816
51	4 way valve coil	WTC03836
54	4 way valve Z400iQ MD4/MD5/MD7/TD7	WTC03989
	4 way valve Z400iQ Z400iQ MD8/TD8/MD9/TD9	R0815800
56	Expansion valve ukv Z400iQ MD4	WTC03927
	Expansion valve ukv Z400iQ MD5	WTC03928
	Expansion valve ukv Z400iQ MD7/TD7/MD8/TD8/MD9/TD9	WTC03994
Casing		
N/A	Kit demo tole Z400iQ ag	R0840400
	Kit demo tole Z400iQ bg	R0840500
13	Front panel aluminium grey + fixture kit Z400iQ MD4/MD5	R0813700
	Front panel aluminium grey + fixture kit Z400iQ MD7/TD7	R0813900
	Front panel aluminium grey + fixture kit Z400iQ MD8/TD8/MD9/TD9	R0814100
	Front panel beige grey + fixture kit Z400iQ MD4/MD5	R0813800
	Front panel beige grey + fixture kit Z400iQ MD7/TD7	R0814000
	Front panel beige grey + fixture kit Z400iQ MD8/TD8/MD9/TD9	R0814200
	Front panel stainless steel + fixture kit Z400iQ MD4/MD5	R0861200
	Front panel stainless steel + fixture kit Z400iQ MD7/TD7	R0861300
	Front panel stainless steel + fixture kit Z400iQ MD8/TD8/MD9/TD9	R0861400
	14	Kit fixture front panel (6x rubber/nut/screw) Z400iQ
16	Technical panel Z400iQ MD4/MD5	R0814500
	Technical panel Z400iQ MD7/TD7	R0814600
34	Technical panel Z400iQ MD8/TD8/MD9/TD9	R0814700
	Lateral panel Z400iQ MD4/MD5	R0820000
	Lateral panel Z400iQ MD7/TD7	R0820100
40	Lateral panel Z400iQ MD8/TD8/MD9/TD9	R0820200
	Kit complete user interface wifi Z400iQ	R0841100
	Kit complete user interface Z400iQ (before 2019)	R0811800
Others		
12	Top with fixure kit Z400iQ MD4/MD5/MD7/TD7	R0813500
	Top with fixure kit Z400iQ MD8/TD8/MD9/TD9	R0813600
15	Lateral inspection hatch Z400iQ	R0814400
17	Base with fixture kit Z400iQ MD4/MD5/MD7/TD7	R0814800
	Base with fixture kit Z400iQ MD8/TD8/MD9/TD9	R0814900
24	Motor fan support Z400iQ MD4/MD5	R0818000
	Motor fan support Z400iQ MD7/TD7	R0818100
	Motor fan support Z400iQ MD8/TD8/MD9/TD9	R0841000
29	Water connector for flow switch Z400iQ	R0819000
30	Water connector without flow switch Z400iQ	R0819100
31	Backside inspection hatch Z400iQ	R0819200
32	Plastic nuts Z400iQ	R0819300
33	Kit screws entire unit Z400iQ	R0819600
36	Kit packaging Z400iQ MD4/MD5	R0827700
	Kit packaging Z400iQ MD7/TD7	R0827800
	Kit packaging Z400iQ MD8/TD8/MD9/TD9	R0827900
37	Pallet Z400iQ MD4/MD5/MD7/TD7	R0835900
	Pallet Z400iQ MD8/TD8/MD9/TD9	R0836000
45	Set of 2 half union connectors + gasket	W20RDU
52	Compressor insulation Z400iQ MD4	R0815900
	Compressor insulation Z400iQ MD5	R0816000
	Compressor insulation Z400iQ MD7	WTC03926
	Compressor insulation Z400iQ MD8/TD8/MD9	R0817000
	Compressor insulation Z400iQ TD7	R0816900
	Compressor insulation Z400iQ TD9	R0817100
Accessories		
38	Winter cover Z400iQ large	R0840000
	Winter cover Z400iQ medium	R0839900
	Winter cover Z400iQ small	R0839800
-	Cleaning kit hp	WMA03491

*All electric parts on single phased Heat Pumps are sold without condensers.