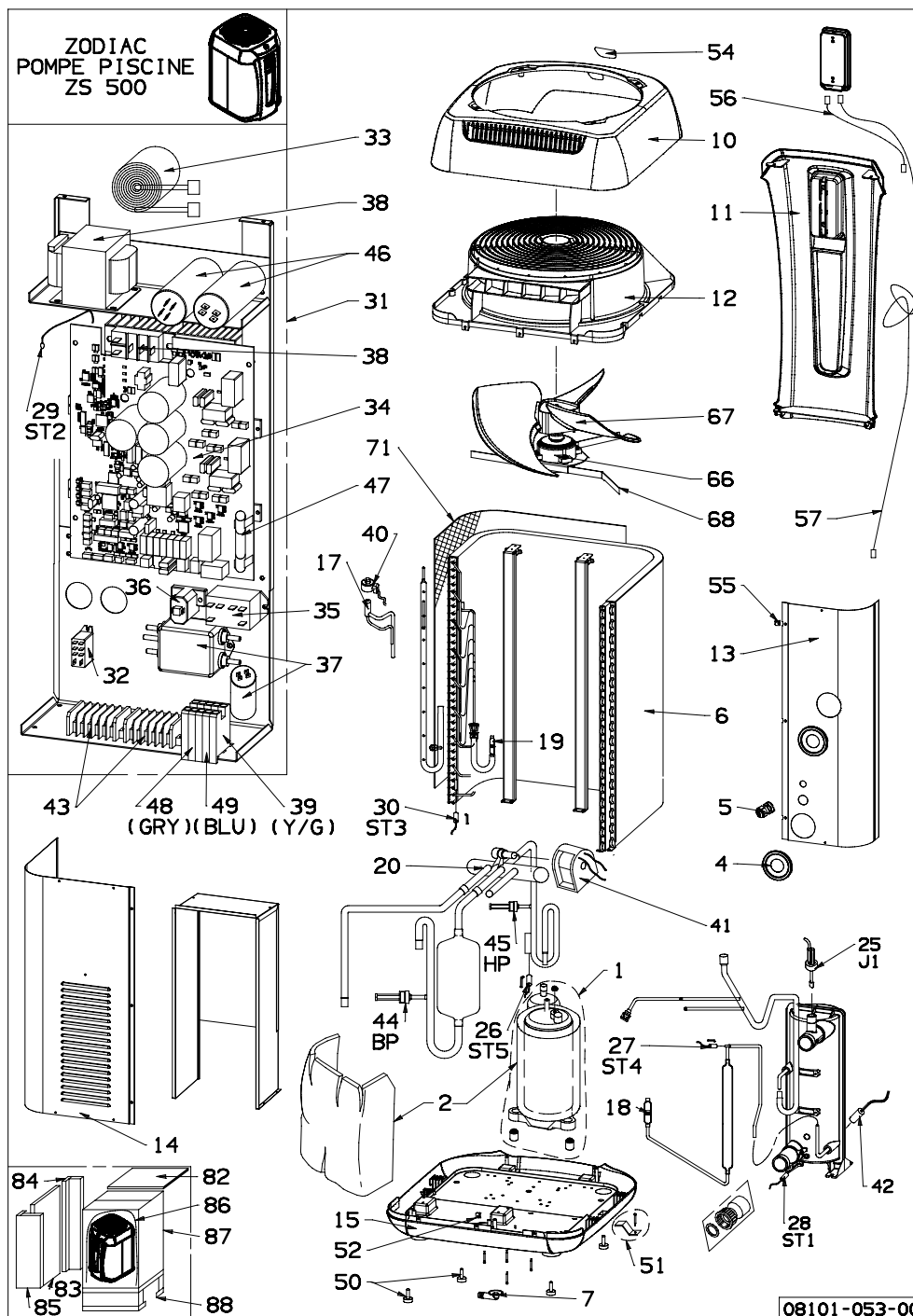




# ZS500



	Condenser support bracket set	R06415
71	Grey protective evaporator grille	A0261000A
	Condenser outlet connector with tapping+gasket (before 2016)	R0611001
	Condenser outlet connector 3 fixations with tapping+gasket	A0358000A
	Condenser inlet connector with tapping+gasket (before 2016)	R0611301
	Condenser inlet connector 3 fixations with tapping+gasket	A0357800A
	Set of 2 half-union connectors + gaskets 40/49	W20RDU
<b>Accessories</b>		
	Condensate tray	R07240
	Remote control module	WH000201
	Local facility kit	WH000202
	Winter cover	R07096
	Cleaning Kit PAC	WMA03491

Position	Description	Reference
<b>Electrical spare parts</b>		
25	Flow switch	B0052400A
26 27 28 29 30	Temperature sensor	R06740
31	Complete electrical set without pad MD4	B0203200A
	Complete electrical set without pad MD5	B0052100A
	Complete electrical set without pad MD8	B0203300A
	Complete electrical set without pad TD5	B0224900A
	Complete electrical set without pad TD8	B0225000A
34	A1 Main electronic card set MD4	R07146
	A1 Main electronic card set MD5	R07147
	A1 Main electronic card set MD8	R07148
	A1 Main electronic card set TD5	R07444
	A1 Main electronic card set TD8	R07398
	A1 Card fuse 6,3 x 32 25A	B0050600A
	Communication wire RJ11/45 2M	B0051900A
37	EMC Filter 250-16A MD4-5	B0050900A
	EMC Filter 250-25A MD8	WTC04000
	EMC Filter TD5-8	B0217600A
32	Relay 12A 230V 2 changeover contacts	B0050800A
	Relay ZS500 TD	B0217500A
33	Filter inductor 30KHZ 1,5mH 22A	B0050700A
	Capacitor 1500µF 400V	B0217700A
42	condenser resistance 55W L750	B0051000A
	Pad (Display)	WVH00001
	Lexan Pad ZS500	WZD00001
66	Motor fan	B0050300A
<b>Refrigerating spare parts</b>		
1	Compressor ZS500 MD4-5	B0050500A
	Compressor ZS500 MD8	B0185300A
	Compressor ZS500 TD5	V0145000A
	Compressor ZS500 TD8	V0145100A
6	Evaporator battery MD4	M0126100A
	Evaporator battery MD5-8 TD5-8	M0042500A
17	Expansion valve UKV MD4	WTC03927
	Expansion valve UKV MD5-8 TD5-8	WTC03928
40	Expansion valve coil	B0183700A
20	4-way valve MD4-5 TD5	WTC03989
	4-way valve MD8 - TD8	V0144700A
41	4-way coil	WTC03990
44	Pressure switch BP	B0051200A
45	Pressure switch HP	B0051100A
	Condensor MD4-5 TD5	R06954
	Condensor MD8 TD8	R06957
<b>Sheet metal</b>		
10	Top panel	A0240800A
11	Front panel	A0240500A
12	Grille	A0240700A
13	Fixed rear panel	M0041200A
14	Removable rear panel	M0041300A
15	Base plate	A0240600A
<b>Other</b>		
2	Compressor sound insulation MD4-5 TD5	T0041900A
	Compressor sound insulation MD8 TD8	T0067500A
7	Condensate drain	WTC02971
50	Anti-vibration mounts	A0261100A
67	Propeller	WTC03955
68	Fan motor bracket MD4	M0132900A
	Fan motor bracket MD5-8 TD5-8	M0041400A