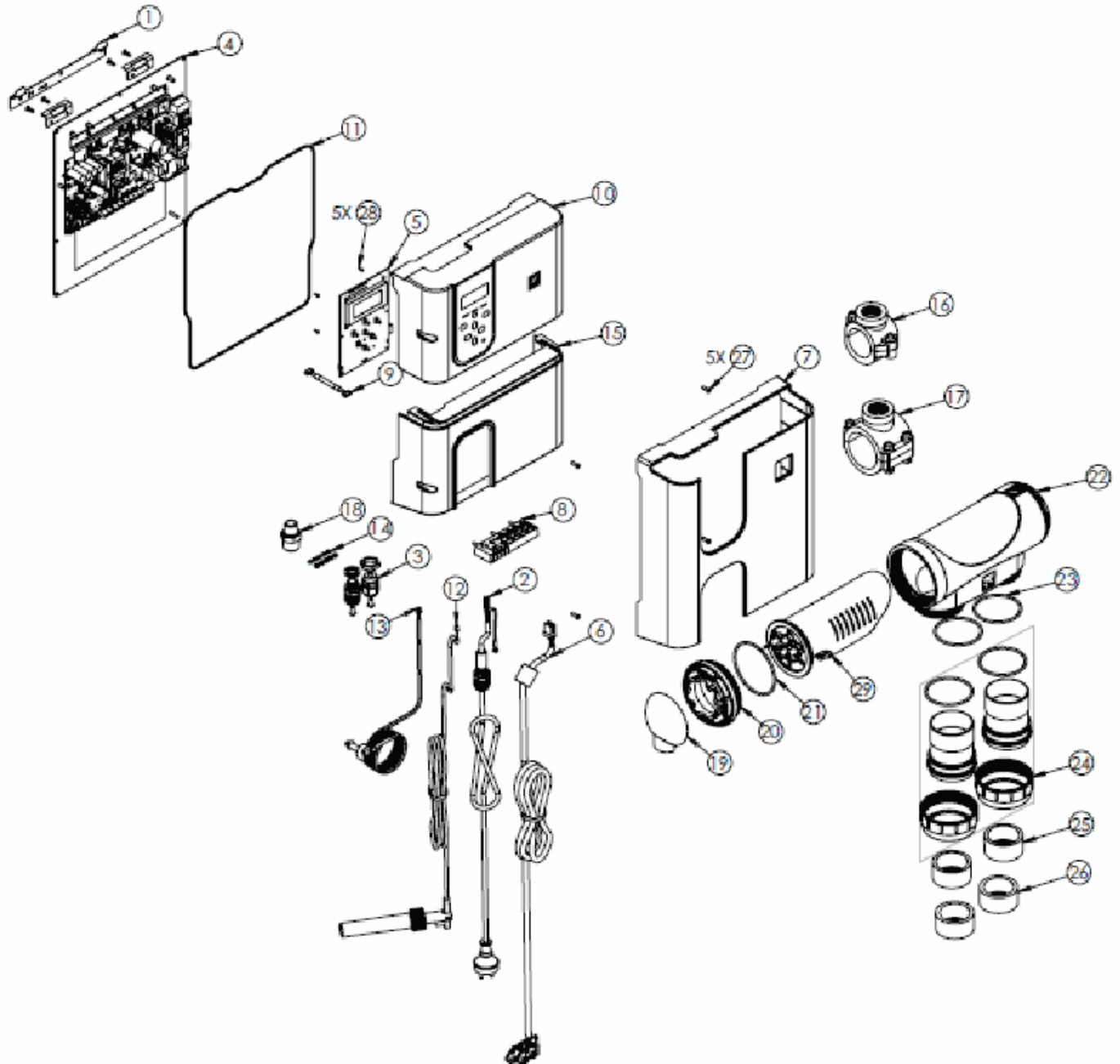




# eXO<sup>®</sup> iQ, eXO<sup>®</sup> iQ LS

Spare Parts



Position	Description	Reference
1	Wall mount kit w/ screws	R0821100
2	Device power cord	R0821200
3	Cable gland kit	R0821600
4	Power supply electronic card eXO® iQ / eXO® iQ LS	R0821700
5	HMI Wi-Fi control card	R0822300
6	Cell cable	R0822500
7	eXO® iQ black cover	R0822700
	eXO® iQ LS blue cover	R0822800
8	Soft grommet	R0823000
9	HMI control card cable	R0823100
10	eXO® iQ / eXO® iQ LS grey upper housing	R0823200
11	Chassis O-ring	R0823600
12	Flow switch with connector	R0823800
13	Temperature sensor kit (with 4,5 m cable + O-ring + stainless steel collar)	R0823900
14	Ground connection kit (x5)	R0824000
15	eXO® iQ / eXO® iQ LS grey lower housing	R0824200
16	Complete DN50 mm saddle clamp (adaptable to 1 ½ " UK)	R0839500
17	Complete DN63 mm saddle clamp (adaptable to 2 " UK) - not included in the product	R0839600
18	3/4"x1/2" adapter for flow switch	R0797200
19	eXO® iQ cell protective cap grey	R0740800
	eXO® iQ LS cell protective cap blue	R0742300
20	Electrode tightening ring	R0740600
21	Electrode O-ring (x2)	R0739000
22	Empty cell body	R0740200
23	Barrel union Oring (x2)	R0737700
24	Barrel union set for TRi DN63 mm / 2"	R0748700
25	PVC DN50 mm adapter to glue	R0768600
26	PVC 1 ½ " adapter to glue (UK)	R0770300
27	Screws 4*12 mm (x5)	R0516700
28	Screws 2,2*6,5 mm (x5)	R0564500
29	Complete eXO® iQ 10 electrode	R0635200
	Complete eXO® iQ LS 10 electrode	R0635200
	Complete eXO® iQ 18 electrode	R0635201
	Complete eXO® iQ LS 18 electrode	R0635201
	Complete eXO® iQ 22 electrode	R0635202
	Complete eXO® iQ 35 electrode	R0635203